



CESCO Magnetics
 93 Utility Court
 Rohnert Park
 California 94928 USA



Phone: 707-585-2402
 Fax: 707-585-3886
 Toll Free: 877-624-8727
 cescomagnetics.com

S E R V I N G T H E F O O D I N D U S T R Y S I N C E 1 9 4 6

• **QSF** •
 Tank Pressure Relief Valve



DESCRIPTION:

Sanitary, non-adjustable low pressure relief valve for liquid and air service. It features a large flow capacity with light accumulation. The opening relief pressure is set at the factory, according to customer's need, between 2 and 20 PSI. Simple rugged design for positive closure, easy take-apart, cleaning and reassembly.

USE:

1. Protect tanks and equipment with low pressure tolerances against overpressure

VALVE SPECIFICATION

Range Setting (PSI)	2 - 20
Diameter of Orifice	1 3/8"
Actuated Area (sq. in.)	2.8"
Capacity (GPM)	100
Inlet Connection	2" Tri-Clamp

CESCO builds **QUALITY** equipment made to your satisfaction

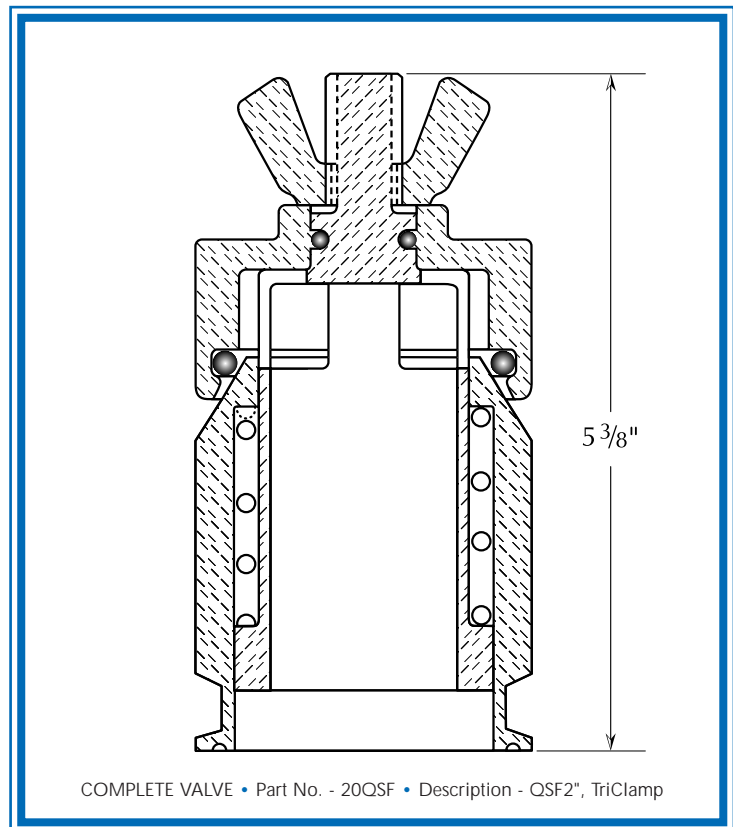
CESCO for all your magnetic separator needs.

QSF Pressure Relief Valve



NOTES:

1. Due to varying conditions of each system, every Q-Control valve should be tested in place before being relied upon for protection during operation.
2. Information presented is general and may not apply to the conditions of individual installation.
3. The manufacturer's warranty relates to workmanship, sanitary requirements, and action as tested when shipped. Any liability cannot exceed the price of the valve.



ITEM	Part No.	Description	Material
1	QSF20WN	Wing Nut	304SS
2	QSF20CA	Cap	316SS
3	OR113B	O-ring - Cap	Buna-N
4	QSF20BD	Body	316SS
5	QSF20SPL	Spring	302SS
6	OR329B	O-ring, Stem	Buna-N
7	QSF20ST	Stem	316SS



CESCO Magnetics • 93 Utility Court • Rohnert Park • California 94928 USA
 Phone: 707-585-2402 • Fax: 707-585-3886 • Toll Free: 877-624-8727 • cescomagnetics.com

SERVING THE FOOD INDUSTRY SINCE 1946