



CESCO Magnetics
 93 Utility Court
 Rohnert Park
 California 94928 USA



Phone: 707-585-2402
 Fax: 707-585-3886
 Toll Free: 877-624.8727
 cescomagnetics.com

S E R V I N G T H E F O O D I N D U S T R Y S I N C E 1 9 4 6

• QST •
 Pressure Relief Valve



DESCRIPTION:

A spring loaded, self-setting, self-actuating sanitary pressure relief valve that is preset and actuated solely and directly by the upstream static line pressure. It combines quick and easy cleaning and assembly with low blowdown and accumulation. An opening relief pressure is set at the factory between 45 and 120 PSI. Its relief capacity of 90 gallons per minute can be dumped (alarm mode), or recirculated depending upon the users requirements. The valve may be installed in any position, but vertical is recommended for uniform parts wear.

FEATURES:

- Automatic resetting
- Low accumulation
- Positive sealing
- Easy disassembly for cleaning
- Straight flow
- All 302/316 stainless steels
- No thread tightening to pre-load pressure settings

USES:

1. Protect sanitary lines and equipment (not tanks) against excessive pressure, with or without recovery of discharge
2. Protection of HTST installations

CESCO builds **QUALITY** equipment made to your satisfaction.

CESCO for all your magnetic separator needs.

QST Pressure Relief Valve

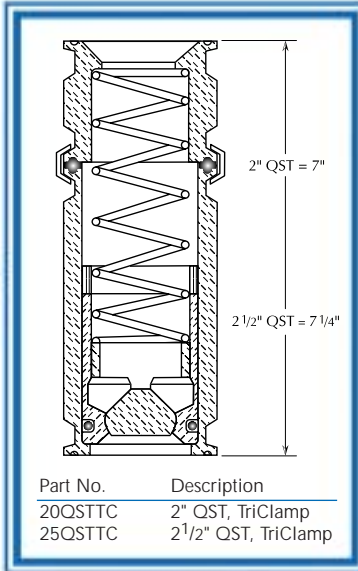


DEFINITIONS

Opening Relief Pressure - The pressure at which the valve starts to open and drip. Opening relief pressure should be set high enough (approximately 20% above operating pressure) to prevent dripping due to normal pressure fluctuations in the system (such as opening and closing of diverting valves). Systems subject to higher than normal pressure surges should have an opening relief pressure level approximately 30% above the operating pressure.

Blowdown - The amount of pressure (PSI) that must be reduced below the opening relief pressure to attain positive closure. Blowdown of 10 to 20% is typical for a 2" QST set at 90 PSI.

Accumulation - The amount of additional pressure (PSI), beyond the opening relief pressure level required to open the valve for a given relief capacity. Accumulation of 20 to 30% is typical for a 2" QST set at 90 PSI to reach its 90 GPM limit.



HOW THE QST WORKS:

The sleeve (7) telescopes into the body (9) under increasing line pressure. When the pressure setting ring (4) contacts the body's inside shoulder at (2), the valve has reached its pre-set pressure. Any additional pressure will open the Plug (6), relieving the excess pressure. The Plug resets itself after sufficient pressure has been relieved.

NOTES:

1. Due to varying conditions of each system, every Q-Control valve should be tested in place before being relied upon for protection during operation.
2. Information presented is general and may not apply to the conditions of individual installation.
3. The manufacturer's warrantee relates to workmanship, sanitary requirements, and action as tested when shipped. Any liability cannot exceed the price of the valve.

ITEM	Part No.	Description	Material
1	QST20UB	Upper Body - 2"	316SS
	QST25UB	Upper Body - 2.5"	316SS
2	40MPU2	Gasket - 2" TriClover	Buna-N
	40MPU2.5	Gasket - 2.5" TriClover	Buna-N
3	13MH LA-2	Clamp - 2" TriClover	302SS
	13MH LA-2.5	Clamp - 2.5" TriClover	302SS
4	QST20SR	Pressure Ring - 2"	316SS
	QST25SR	Pressure Ring - 2.5"	316SS
5	QST20SP	Spring - 2"	302SS
	QST25SP	Spring - 2.5"	302SS
6*	QST20PL	Plug - 2"	316SS
	QST25PL	Plug - 2.5"	316SS
7*	QST20SL	Sleeve - 2"	316SS
	QST25SL	Sleeve - 2.5"	316SS
8**	OR326B	O-ring - 2"	Buna-N
	OR330B	O-ring - 2.5"	Buna-N
9	QST20LB	Lower Body - 2"	316SS
	QST25LB	Lower Body - 2.5"	316SS

*Mated Parts - **Also available in Viton and Teflon Coated Buna-N



CESCO Magnetics • 93 Utility Court • Rohnert Park • California 94928 USA
 Phone: 707-585-2402 • Fax: 707-585-3886 • Toll Free: 877-624-8727 • cescomagnetics.com

SERVING THE FOOD INDUSTRY SINCE 1946