



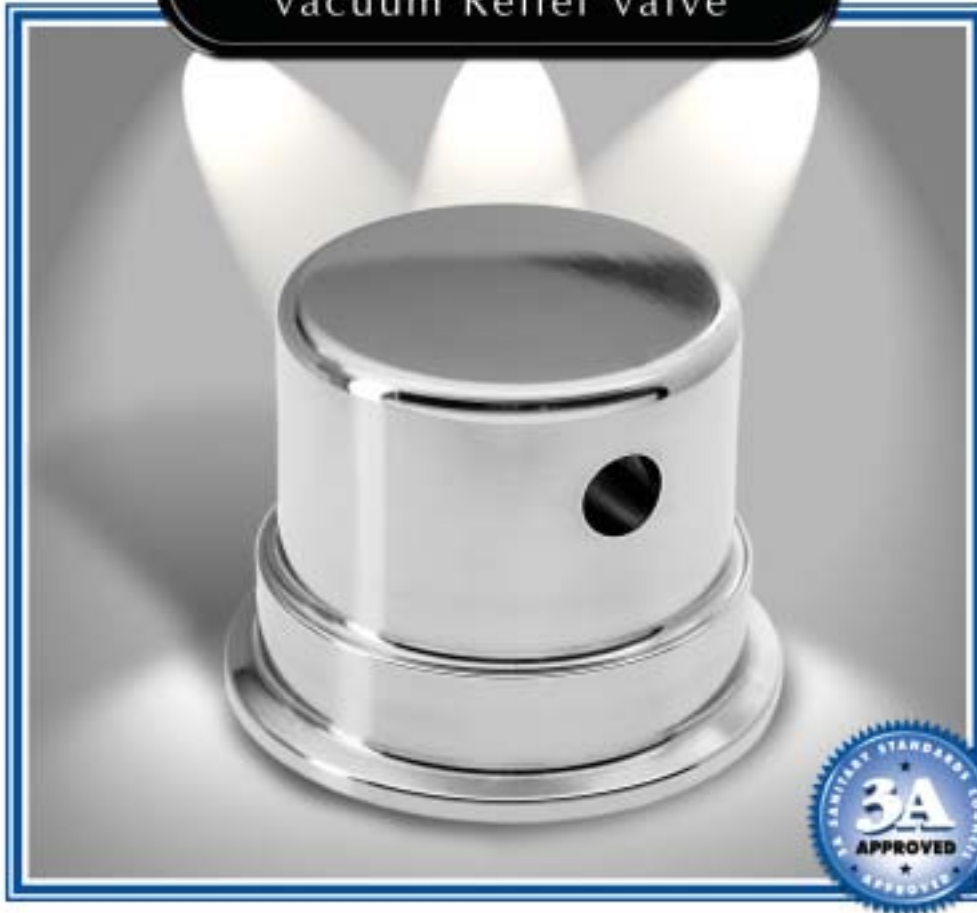
CESCO Magnetics
 93 Utility Court
 Rohnert Park
 California 94928 USA



Phone: 707-585-2402
 Fax: 707-585-3886
 Toll Free: 877-624.8727
 cescomagnetics.com

S E R V I N G T H E F O O D I N D U S T R Y S I N C E 1 9 4 6

• QV/QVO •
 Vacuum Relief Valve



**DESCRIPTION
 OF VALVE OPERATION:**

A compact, quick acting, sanitary vacuum relief valve for eliminating air from processing lines. It offers two-way passage of air flow until the line is pressurized, then the plug rises and closes the valve. When depressurized, the plug drops, which allows air back into the system, draining the line of liquid.

FEATURES:

- Easy to clean and assemble
- All 316 stainless steel
- Positive sealing with negligible spitting
- Both the QV and QVO have the same action
- The QVO with its O-ring seal is designed for hot, crusting liquids and abusive environments where the QV's metal-to-metal seat may be damaged.

**DAIRY OPERATIONS NEEDS
 FOR VACUUM RELIEF & VENTING:**

- HTST Pasteurization - for protection of heat generators against siphon drainage;
- Vacuum Pasteurization - preventing exposure of flow diversion valves to downstream vacuum;
- Clean-In-Place (CIP) Operations; Tank and Truck Filling;
- Cleaning and Purging lines with compressed air; and
- Pump Priming

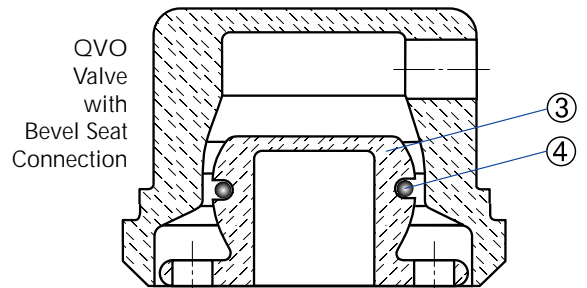
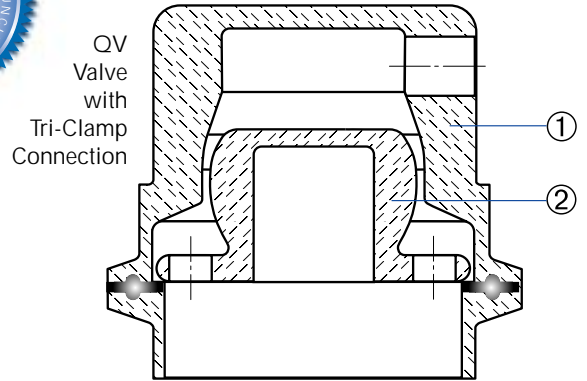
USES:

1. Siphon Prevention
2. Venting air from liquid lines and allowing lines to drain.
3. Preventing vacuum, of limited capacity, in liquid lines (not tanks).

Q - US Reg Trade Mark - Covered under US Patent 2902250, 3121444, 3232313 or 3311342 - 3A Authorized

**CESCO builds QUALITY equipment made to your satisfaction.
 CESCO for all your magnetic separator needs.**

QV/QVO Vacuum Relief Valve



Attaching Gaskets, Clamps & Nuts are not usually provided

QV/QVO VALVES

Q-Control valves work reliably when used in milk processing lines. Milk fats serve as lubricants for the valves. For products not containing natural lubricants, approved lubricants may be used. If using a QVO valve, try teflon coated Buna-N or Viton O-rings.

NOTES:

1. Due to varying conditions of each system, every Q-Control valve should be tested in place before being relied upon for protection during operation.
2. Information presented is general and may not apply to the conditions of individual installation.
3. The manufacturer's warranty relates to workmanship, sanitary requirements, and action as tested when shipped. Any liability cannot exceed the price of the valve.

VALVE SPECIFICATION

| LINE SIZE | 1 1/2" | 2" | 2 1/2" |
|--|------------|----------|----------|
| Valve Height | 1 - 11/16" | 1 - 7/8" | 1 - 7/8" |
| Q-Seat Diameter | 3/4" | 1 - 1/4" | 1 - 1/4" |
| Orifice Diameter - Equiv. Net Air Flow | 1/4" | 3/8" | 3/8" |

VALVES

| Part No. | TriClamp Valves | Part No. | Bevel Seat Valves |
|----------|-------------------|----------|---------------------|
| 15QVTC | 1.5" QV-TriClamp | 15QVBS | 1.5" QV-Bevel Seat |
| 15QVOTC | 1.5" QVO-TriClamp | 15QVOBS | 1.5" QVO-Bevel Seat |
| 20QVTC | 2" QV-TriClamp | 20QVBS | 2" QV-Bevel Seat |
| 20QVOTC | 2" QVO-TriClamp | 20QVOBS | 2" QVO-Bevel Seat |
| 25QVTC | 2.5" QV-TriClamp | 25QVBS | 2.5" QV-Bevel Seat |
| 25QVOTC | 2.5" QVO-TriClamp | 25QVOBS | 2.5" QVO-Bevel Seat |

INDIVIDUAL PARTS

| Item | Part No. | Description | Material |
|------|----------|--|----------|
| | QV15BDT | 1.5" QV Body - TriClamp | 316SS |
| | QV15BDB | 1.5" QV Body - Bevel Seat | 316SS |
| | QV15PL | 1.5" QV Plug | 316SS |
| | QV15PL | 1.5" QVO Plug | 316SS |
| | OR113B | 1.5" O-ring | Buna-N |
| | OR113TC | 1.5" O-ring -Teflon Coated | Buna-N |
| | OR113V | 1.5" O-ring | Viton |
| 1* | QV2BDT | 2" QV Body - TriClamp | 316SS |
| | QV2BDB | 2" QV Body - Bevel Seat | 316SS |
| 2* | QV2PL | 2" QV Plug | 316SS |
| 3 | QVOPL | 2" QVO Plug | 316SS |
| 4 | OR214B | 2" O-ring | Buna-N |
| | OR214TC | 2" O-ring - Teflon Coated | Buna-N |
| | OR214V | 2" O-ring | Viton |
| | QV25AT | Adapter, 2" to 2 1/2" Line, TriClamp end | 316SS |
| | QV25AB | Adapter, 2" to 2 1/2" Line, Bevel Seat end | 316SS |

*QV Bodies and Plugs are lapped, becoming mated parts



CESCO Magnetics • 93 Utility Court • Rohnert Park • California 94928 USA
 Phone: 707-585-2402 • Fax: 707-585-3886 • Toll Free: 877-624-8727 • cescomagnetics.com

SERVING THE FOOD INDUSTRY SINCE 1946