



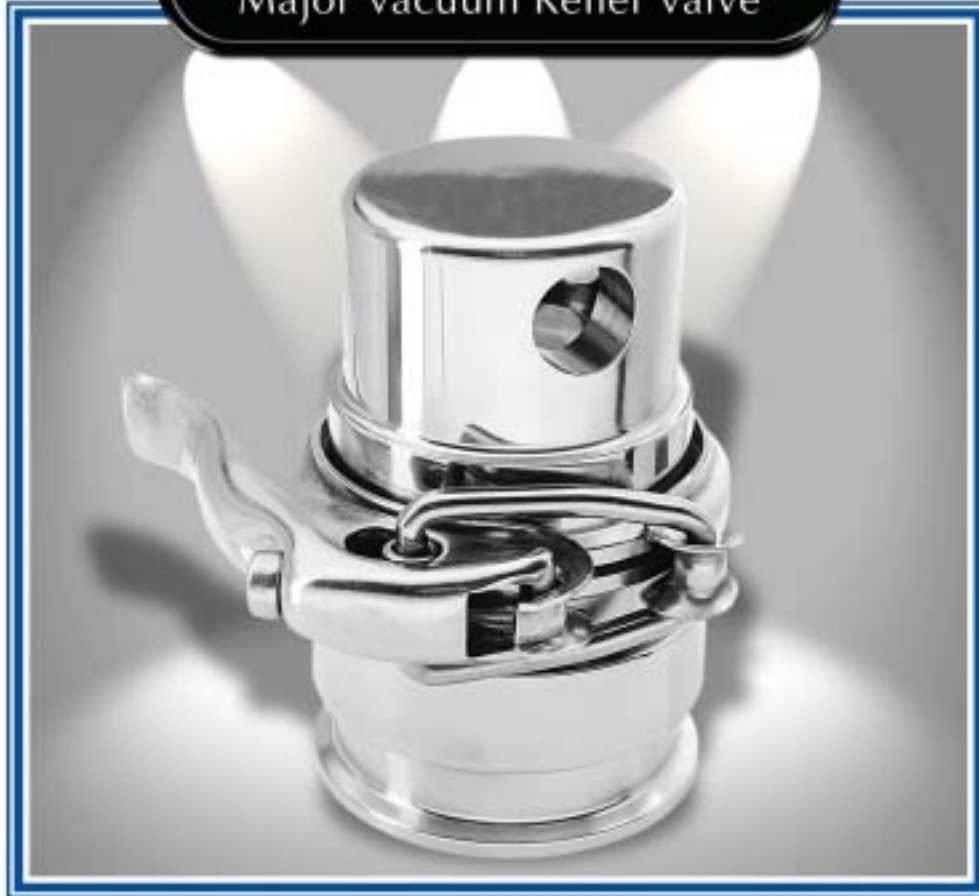
**CESCO Magnetics**  
 93 Utility Court  
 Rohnert Park  
 California 94928 USA



Phone: 707-585-2402  
 Fax: 707-585-3886  
 Toll Free: 877-624.8727  
 cescomagnetics.com

S E R V I N G   T H E   F O O D   I N D U S T R Y   S I N C E   1 9 4 6

• **QVV/QVVO** •  
 Major Vacuum Relief Valve



**DESCRIPTION:**

A compact, quick acting, sanitary major vacuum relief valve for eliminating air from processing lines. It offers two-way passage of air until the line is pressurized, then the plug rises, closing the valve. When depressurized, the plug drops, which allows air back into the system, draining the line. The QVV/ QVVO valve offers 7 times the air flow of our QV/QVO valve.

**FEATURES:**

- Easy to clean, disassemble and assemble
- All 316 stainless steel except the 302 SS spring
- Positive sealing with negligible spitting
- Both the QVV and QVVO have the same action.
- The QVVO, with its O-ring seal, is designed for hot, crusting liquids and abusive environments, where the QVV's metal-to-metal seat may be damaged.

**DAIRY OPERATIONS NEEDS FOR VACUUM RELIEF & VENTING:**

- HTST Pasteurization - for protection of heat generators against siphon drainage;
- Vacuum Pasteurization - preventing exposure of flow diversion valves to downstream vacuum;
- Clean-In-Place (CIP) Operations; Tank and Truck Filling;
- Cleaning and Purging lines with compressed air; and Pump Priming

**USES:**

1. Siphon Prevention
2. Venting air from liquid lines and allowing lines to drain.
3. Preventing vacuum in liquid lines (not tanks).

Q - US Reg Trade Mark - Covered under US Patent 2902250, 3121444, 3232313 or 3311342 - 3A Authorized

**CESCO builds QUALITY equipment made to your satisfaction.  
 CESCO for all your magnetic separator needs.**

# QVV/QVVO Major Vacuum Relief Valve



## QVV/QVVO VALVES

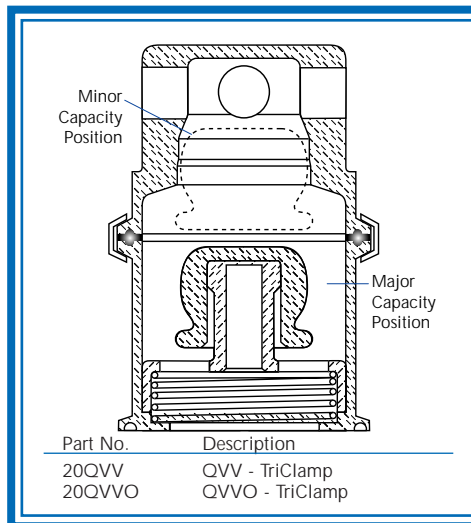
Q-Control valves work reliably when used in milk processing lines. Milk fats serve as lubricants for the valves. For products not containing natural lubricants, approved lubricants may be used. If using a QVVO valve, try teflon coated Buna-N or Viton O-rings.

### VALVE SPECIFICATION

|                          |          |
|--------------------------|----------|
| LINE SIZE                | 2"       |
| Valve Height             | 4"       |
| Q-Seat Diameter          | 1 - 1/4" |
| Orifice Diameter - Minor | 11/32"   |
| Orifice Diameter - Major | 1"       |

### NOTES:

1. Due to varying conditions of each system, every Q-Control valve should be tested in place before being relied upon for protection during operation.
2. Information presented is general and may not apply to the conditions of individual installation.
3. The manufacturer's warranty relates to workmanship, sanitary requirements, and action as tested when shipped. Any liability cannot exceed the price of the valve.



| ITEM | Part No. | Description                   | Material |
|------|----------|-------------------------------|----------|
| 1*   | QVV20UB  | Upper Body - QVV              | 316SS    |
| 2*   | QVV20PL  | Plug - QVV                    | 316SS    |
| 3    | QVV20BS  | Base                          | 316SS    |
| 4    | QVV20SP  | Spring                        | 302SS    |
| 5    | 40MPU-2  | Gasket - 2" TriClover         | Buna-N   |
| 6    | 13MHLA-2 | Clamp - 2" TriClover          | 302SS    |
| 7    | QVV20LB  | Lower Body                    | 316SS    |
|      |          | ALSO AVAILABLE                |          |
| 8    | QVVO20UB | Upper Body - QVVO (not shown) | 316SS    |
| 9    | QVVO20PL | Plug - QVVO (not shown)       | 316SS    |
| 10   | OR214B   | O-ring (not shown)            | Buna-N   |
|      | OR214TC  | O-ring, Teflon Coated         | Buna-N   |
|      | OR214BV  | O-ring                        | Viton    |

\*Mated Parts



CESCO Magnetics • 93 Utility Court • Rohnert Park • California 94928 USA  
 Phone: 707-585-2402 • Fax: 707-585-3886 • Toll Free: 877-624-8727 • cescomagnetics.com

SERVING THE FOOD INDUSTRY SINCE 1946