



FLOW
LEVEL
PRESSURE
ANALYTICAL
TEMPERATURE
INSTRUMENTATION
PASTEURIZATION CONTROLS

"IZML" Electromagnetic Flowmeter

- $\pm .25\%$ accuracy over flow range
- 3-A compliant; Third party verified in accordance with standard 28-03
- Economical alternative to other flow technologies

When basic, accurate flow measurement is the requirement, the IZML electromagnetic flowmeter is the obvious choice. The IZML offers a low cost alternative for applications where high accuracy measurement is needed. With an accuracy of $\pm .25\%$ of rate, the IZML distinguishes itself from other low-cost magmeters by providing accuracy typically reserved for premium flowmeters yet priced competitively to the less capable flowmeters.

Anderson's IZML was developed from the extremely accurate and proven design of the IZMS electromagnetic flowmeter, utilizing sophisticated signal processing and circuit design to provide superior performance in a standard integral design that simplifies installation

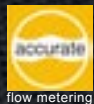
and start up. The IZML's measurement is unaffected by changes in viscosity, density or temperature.

The meter offers one scaled pulse output as standard, with an additional analog output as an option. When equipped with a display, access to two resettable totalizers and a rate indicator is provided along with the ability to change configuration and calibration parameters making this offering unique as a simple, yet highly accurate flowmeter.

Complete specifications and ordering information are available on the reverse. For more information please visit our Web Site at www.andinst.com, or contact your local Authorized Anderson Distributor.

APPLICATIONS

- Beer
- Beverage Concentrates
- Brine
- Catsup
- CIP Solution
- Milk
- Cream
- Juices
- Yogurt
- Sauces



IZML Specifications

OPERATIONAL SPECIFICATIONS

Ambient Temperature: Electronics 5°F to 131°F (-15°C to 55°C)
 Maximum Product Temp: 176°F (80°C) Integral Electronics
 300°F (149°C) Remote Electronics
 Maximum Cleaning Temp: 250°F (120°C) for 30 minutes (Integral)
 Maximum Inlet Pressure: 145 psi / 10 bar
 Minimum Fluid Conductivity: 5 µS / cm
 Minimum Pressure: 7psi absolute / 0.5 bar

IZML FLOWRANGES

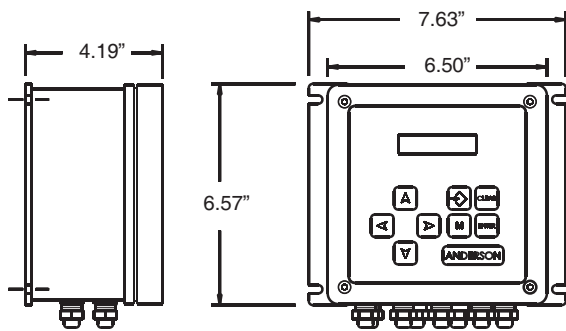
Connection Size	Flow Range (GPM)	Metering Accuracy (GPM)	
		<1.0%	<.25%
3/4	.25 - 18	> .25	> .46
1	.66 - 53	> .66	> 1.3
1-1/2	1 - 85	> 1.0	> 2.0
2	3 - 198	> 3.0	> 6.2
2-1/2	5 - 330	> 5.0	> 11
3	8 - 528	> 8.0	> 16
4	12 - 880	> 12	> 24

MATERIAL / CONSTRUCTION

Housing(flowtube): 304 stainless steel
 Lining: PTFE (non-filled virgin Teflon®)
 Electrodes: 316L stainless steel
 Housing(electronics): Cast aluminum with corrosion-resistant coating (IP67)
 Process Connection: Sanitary Clamp 3/4"-3" sizes (4" Flange)

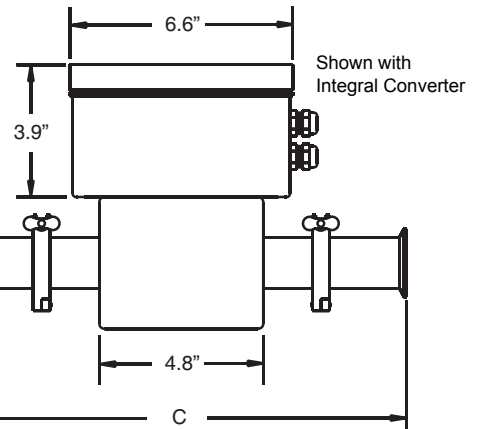
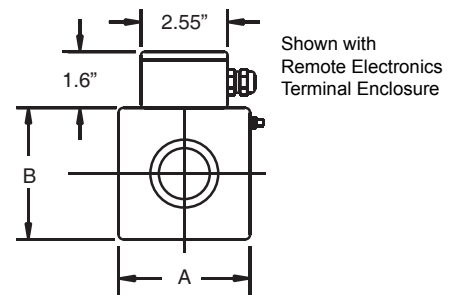
ELECTRONICS

Electrical Supply: 16-34 VDC (.4-.2A)
 115 / 230 VAC / 50-60Hz
 (0.10A / 0.05A) -15% / +10%
 Power Consumption: 10VA / 6 watt maximum
 Magnetic Field: DC pulsed with self-adapting adjustment
 Digital Pulse Output: 1x galvanically separated optocoupler
 Load: 30V, 80mA max, 1,000Hz max
 Analog Output (optional): 4-20mA (active) 500 ohms maximum
 Digital Input: 1x galvanically separated input
 Activation: 10-30VDC
 Display (optional): 2 line back lit



SIDE VIEW

FRONT VIEW



Sanitary Clamp Connections	Dimensions					Combined Approx. Weight
	A	B	C			
			Standard	Option 1	Option 2	
1" / 3/4"	3.9"	6.3"	13.25"	9.88"	10.50"	19 lb.
1-1/2"	3.9"	6.3"	13.25"	9.88"	—	19 lb.
2"	5.1"	7.5"	13.25"	9.88"	—	22 lb.
2-1/2"	6.5"	8.8"	13.25"	9.88"	—	30 lb.
3"	6.5"	8.8"	13.25"	9.88"	—	32 lb.
4" Flange	7.5"	9.8"	11.67"	—	—	46 lb.

HOW TO ORDER



FLOW TUBE SIZE

015	5/8" Flow Tube	065	2-1/2" Flow Tube
025	1" Flow Tube	080	3" Flow Tube
032	1-1/4" Flow Tube	100	4" Flow Tube
050	2" Flow Tube		

DISPLAY OPTION

0 No Display
 D Display Option

OPERATING POWER

0 24VDC
 1 115 VAC 50/60 Hz
 2 230 VAC 50/60 Hz

OUTPUT OPTION

0 No Analog Output
 1 Analog Output

METER LENGTH

0 Standard
 1 Optional 9.88" (Drop-in replacement for PD340 meters)
 2 Optional 3/4" T.C on IZML015 length 10.5"

CONVERTER MOUNTING

Blank Integral
 R0 Remote with 25' cable
 R1 Remote with 50' cable
 R2 Remote with 75' cable
 R3 Remote with 100' cable
 S0 Remote, SS Term. Enc., 25' cable
 S1 Remote, SS Term. Enc., 50' cable
 S2 Remote, SS Term. Enc., 75' cable
 S3 Remote, SS Term. Enc., 100' cable

ACCESSORIES

Part Number	Description
MLD	Service Terminal Unit/ Hand-held Programmer
IZM-USB	USB Communication Interface

REPLACEMENT PARTS

Part Number	Description
300-16	Set of Silicone Gaskets for IZML015
300-26	Set of Silicone Gaskets for IZML025
300-33	Set of Silicone Gaskets for IZML032
300-51	Set of Silicone Gaskets for IZML050
300-66	Set of Silicone Gaskets for IZML065
300-85	Set of Silicone Gaskets for IZML080
300-101F	Flange Gasket for IZML100