



**F L O W
L E V E L
P R E S S U R E
A N A L Y T I C A L
T E M P E R A T U R E
I N S T R U M E N T A T I O N
P A S T E U R I Z A T I O N C O N T R**

"RZ" Sanitary Positive Displacement Flowmeter

- *± 0.15% accuracy over flow range*
- *3-A compliant; Third party verified in accordance with standard 28-03*
- *One moving part eliminates regular maintenance needs*

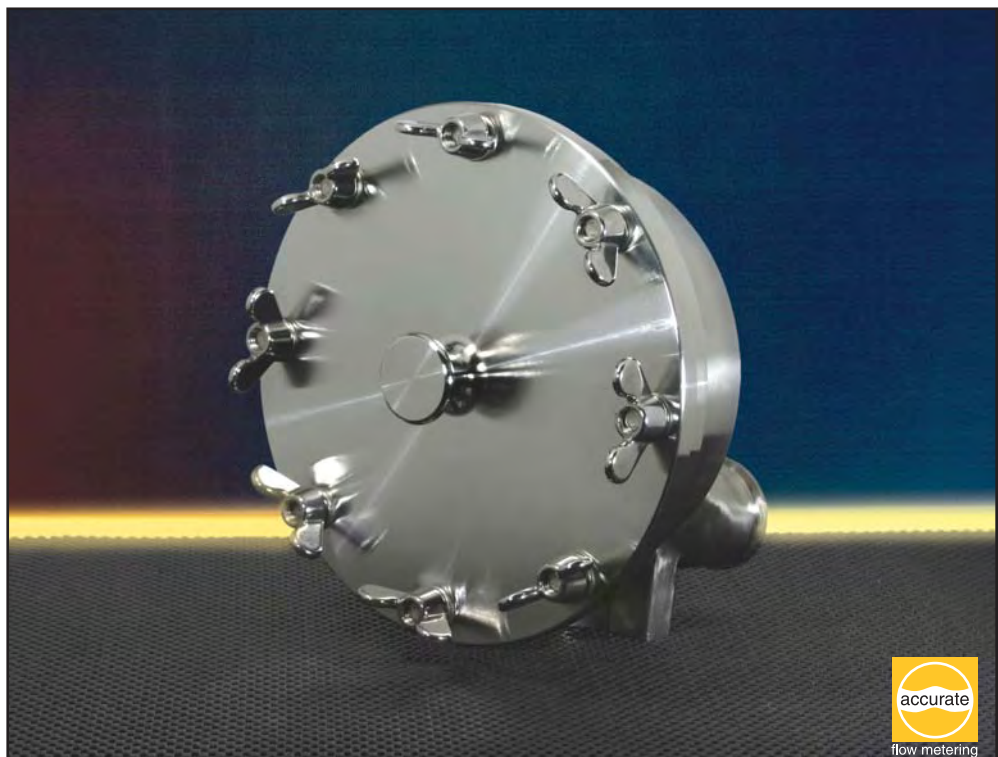
The RZ series positive displacement flowmeter is the solution to applications requiring precision flow measurement from a sanitary design. With an accuracy of $\pm 0.15\%$ over the operational rate, the RZ is an excellent choice for beverage syrups, clear juices and other products which flow through process lines which are cleaned in place. Designed for use in food processing applications, the RZ is capable of measuring a wide range of products from water to viscous corn syrups. The RZ is comprised of a single moving part design, measurement is based on the principle of a chamber and rotating piston which create several internal chambers which are alternately filling and emptying as the piston moves in a

circular path within the chamber. The electronic sensing of the pistons position and movement provides the information necessary to measure the exact volume of liquid which has passed through the flowmeter. Available in 2" and 3" sizes to fit a wide range of applications, and flow ranges, the RZ can provide the performance necessary to satisfy demanding food process applications.

Complete specifications and ordering information are available on the reverse. For more information please visit our Web Site at www.andinst.com, or contact your local Authorized Anderson Distributor.

APPLICATIONS

- Water
- Corn Syrup
- High Fructose
 Corn Syrup
- Molasses
- Vegetable/Edible Oils
- Clear Juices
- Fluid Milk



RZA Specifications

Environmental Specifications

Power / Signal Voltage: 12-24 VDC, 0.8 Watts
 Signal Output: Unscaled, Pulsed Output - 11-22 VDC
 Max. Output Frequency: No greater than 61Hz at maximum flow rate

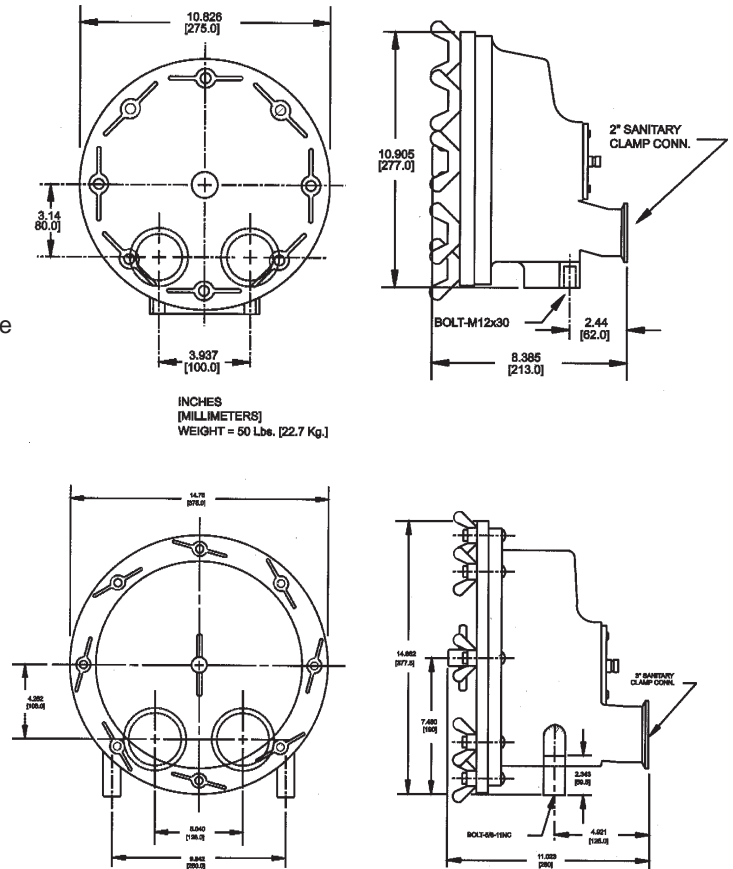
Operational Specifications

Flow Range on Water: 20 - 120 GPM for RZ2A
 20-315 GPM for RZ3A
 Accuracy: +0.15% Over Entire Flow Range
 Repeatability: +0.05%
 Maximum Product Temp: 200°F / 93°C
 Maximum Inlet Pressure: 85 psi/5.9 bar for RZ2A
 65 psi/4.5 bar for RZ3A
 Maximum Allowable Pressure Drop: 45 psi/ 3.1 bar

Material / Construction

Housing: 316L Stainless Steel
 Piston: CIP-O-Plast (Food Grade Synthetic Polymer)
 Wetted Parts: 316L Stainless Steel & CIP-O-Plast
 Process Connection: 2" Tri-Clamp for RZ2A
 3" Tri-Clamp for RZ3A

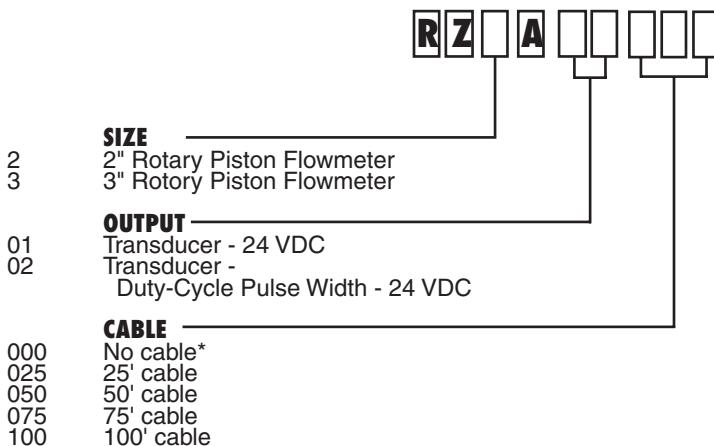
DIMENSIONS



METER FLOW RANGES

Model	Meter Size	Sanitary Clamp Connection	Typical Flow Ranges in GPM				
			Water (1 cps)	Fluid Milk (10 cps)	Light Oils (100 cps)	HFCS-55 (450 cps)	Corn Syrup (5000 cps)
RZ-2A	2"	2"	20-120	10-110	5-100	5-90	2-25
RZ-3A	3"	3"	20-315	20-300	15-280	10-200	5-70

HOW TO ORDER



* Use for cable lengths over 100'

Replacement Parts

Part Number	Description
RZ32-2	2" CIP-O-Plast Piston
RZ33-2	3" CIP-O-Plast Piston
RZ32-92-24V	2" Transducer - 24VDC
RZ32-92-MPW24V	2" Transducer - Duty-Cycle Pulse Width 24VDC
RZ33-92-24V	3" Transducer - 24VDC
RZ33-92-MPW24V	3" Transducer - Duty-Cycle Pulse Width 24VDC
0-265	2" Face Plate O-Ring (Model 85 11 and O series)
RZ32-5	2" Face Plate O-Ring (85 10 or before 1986)
RZ33-5	3" Face Plate O-Ring (95 11 and O-Series)
SM-133-11TEF	3" Face Plate Teflon® Ring (pre 1992)