

# Fast, Effective Impact Cleaning

## Toftejorg MultiJet 40 Rotary Jet Head

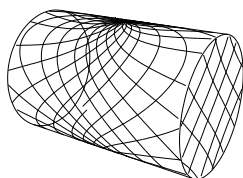
### Application

The Toftejorg MultiJet 40 rotary jet head provides 360° indexed impact cleaning over a defined time period. It is ideal for applications where cost-effective impact cleaning with rotary jet heads is needed, but where compliance with hygienic design standards is not a requirement. The device is suitable for process, storage and transportation tanks between 50 and 500 m<sup>3</sup> (13,000 to 130,000 US gallons). It is designed to work under conditions where fibres, finer particles, etc. in the cleaning media may be re-circulated through the machine.

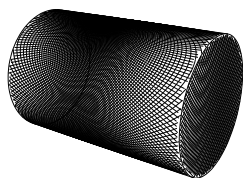
### Working principle

The flow of the cleaning fluid makes the nozzles perform a geared rotation around the vertical and horizontal axes. In the first cycle, the nozzles lay out a coarse pattern on the tank surface. The following cycles make the pattern gradually more dense, until a full pattern is reached after 8 cycles.

### Cleaning Pattern



First cycle



Full pattern

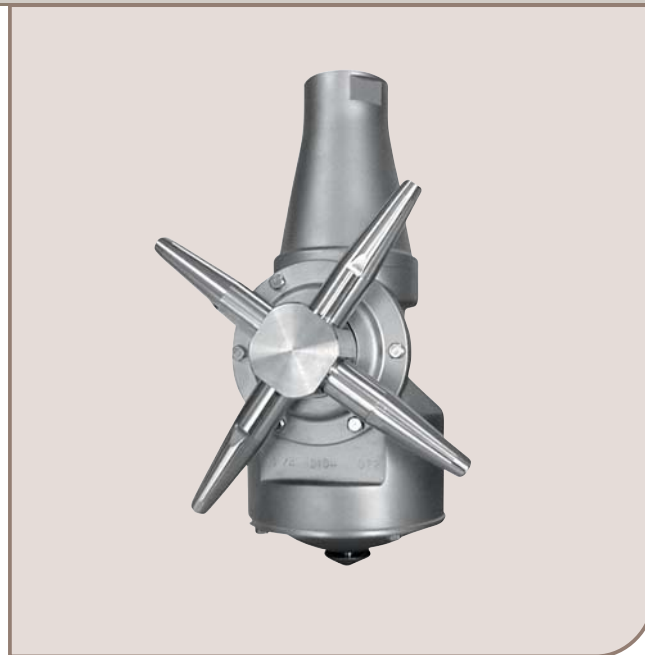
The above drawings show the cleaning pattern achieved on a cylindrical horizontal vessel. The difference between the first cycle and the full pattern represents the number of additional cycles available to increase the density of the cleaning.

### Standard Design

The choice of nozzle diameters can optimise jet impact length and flow rate at the desired pressure. As standard documentation, the Toftejorg MultiJet 40 can be supplied with a "Declaration of Conformity" for material specifications.

### Materials

1.4404 (316L), PTFE, PEEK, Tefzel, VITON, TFM



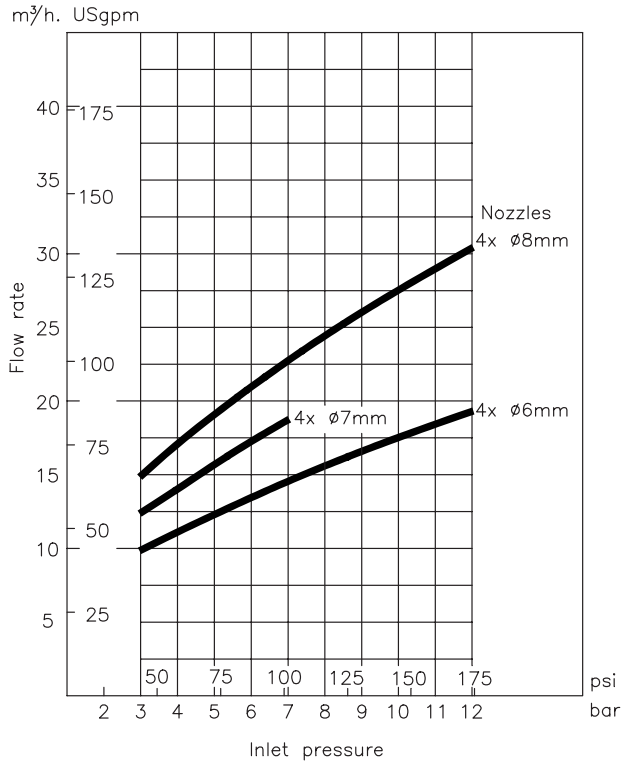
### Technical Data

Surface finish:	External glass blasted
	Internal cast
Weight:	6.1 kg (13 lbs)
Lubricant:	Self-lubricating with the cleaning fluid
Working pressure:	3 - 12 bar (44 - 174 psi)
Recommended pressure:	5 - 6.5 bar (72 - 94 psi)
Max. working temperature:	95 °C (203 °F)
Max. ambient temperature:	140 °C (284 °F)
Max throw length:	8 - 17 m (26 - 56 ft)
Impact throw length:	4 - 10 m (13 - 32 ft)
Standard thread:	1½" BSP or NPT, female

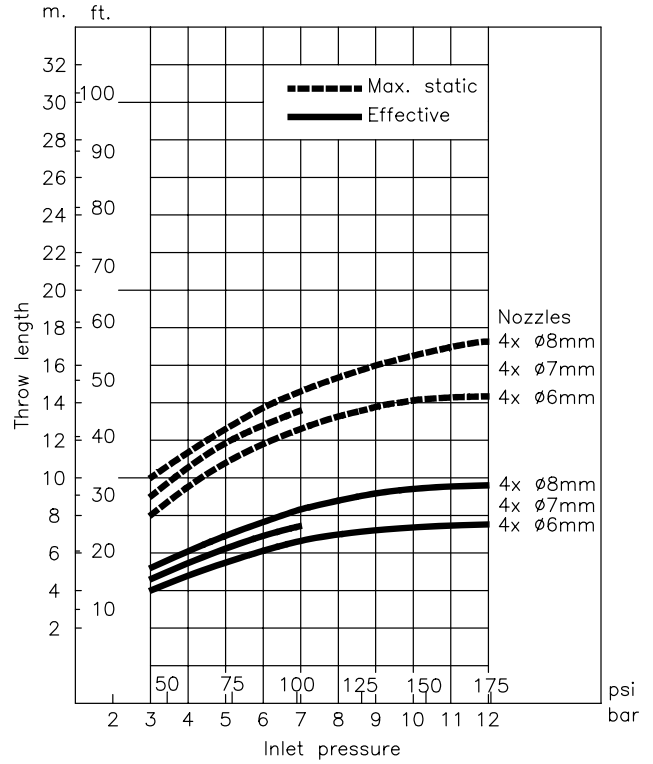
### Caution

Do not use for gas evacuation or air dispersion.

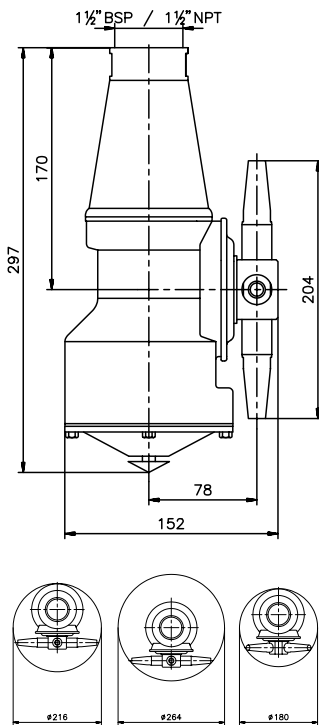
**Flow Rate**



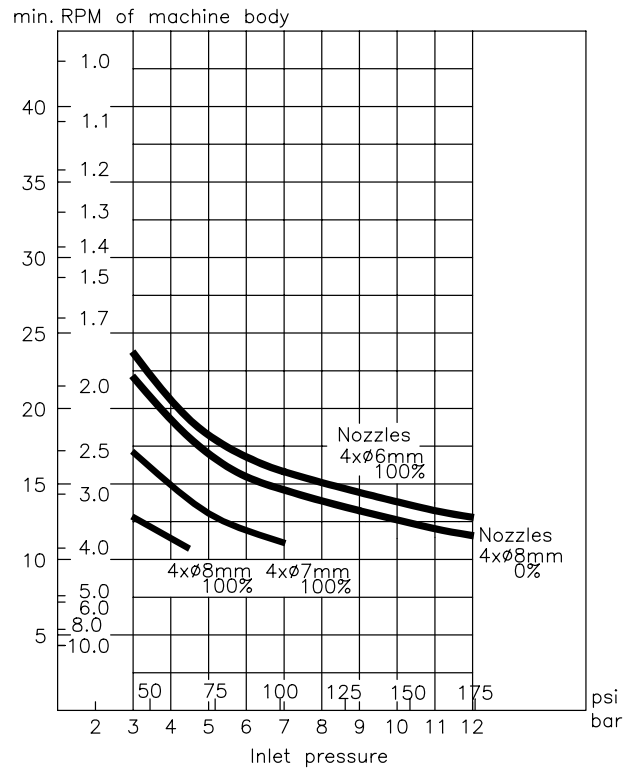
**Impact Throw Length**



**Dimensions (mm)**



**Cleaning Time, Complete Pattern**



**Ordering**

Please specify nozzle size, inlet/guide configuration and connections and confirm application suitability

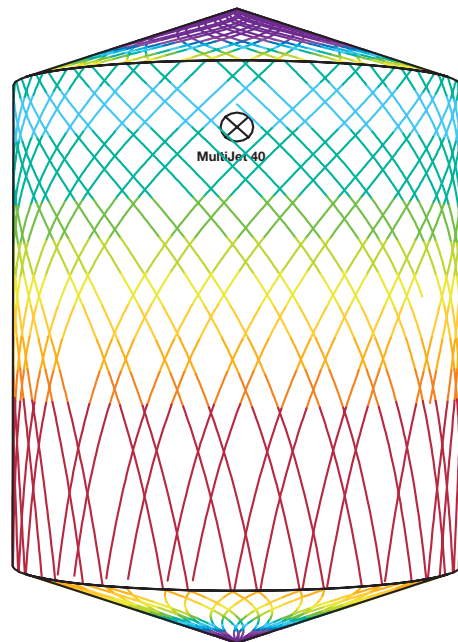
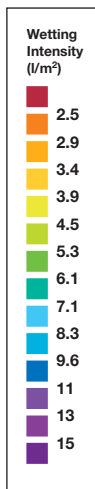
**Options**

- A. Electronic rotation sensor to verify 360° coverage
- B. Downpipe supporting flange

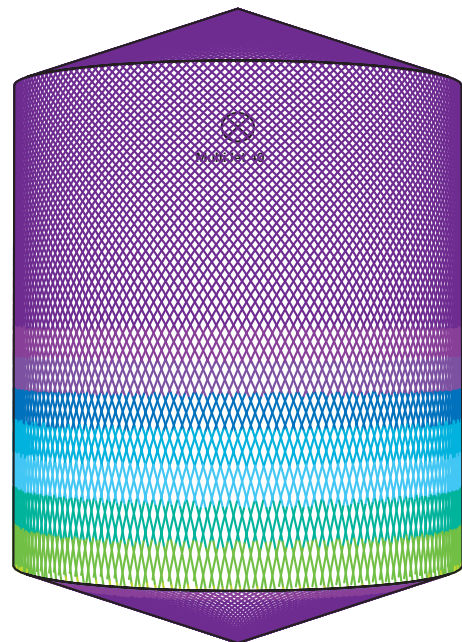
**TRAX simulation tool**

TRAX is a unique software that simulates how the Toftejorg MultiJet 40 performs in a specific tank or vessel. The simulation gives information on wetting intensity, pattern mesh width and cleaning jet velocity. This information is used to determine the best location of the tank cleaning machine and the correct combination of flow, time and pressure to implement.

A TRAX demo containing different cleaning simulations covering a variety of applications can be used as reference and documentation for tank cleaning applications. The TRAX demo is free and available upon request.



D5m H6m, Toftejorg MultiJet 40, 4 x 6 mm, 100% Time = 4.3 min., Water consumption = 887 l



D5m H6m, Toftejorg MultiJet 40, 4 x 6 mm, 100% Time = 18.2 min., Water consumption = 3760 l