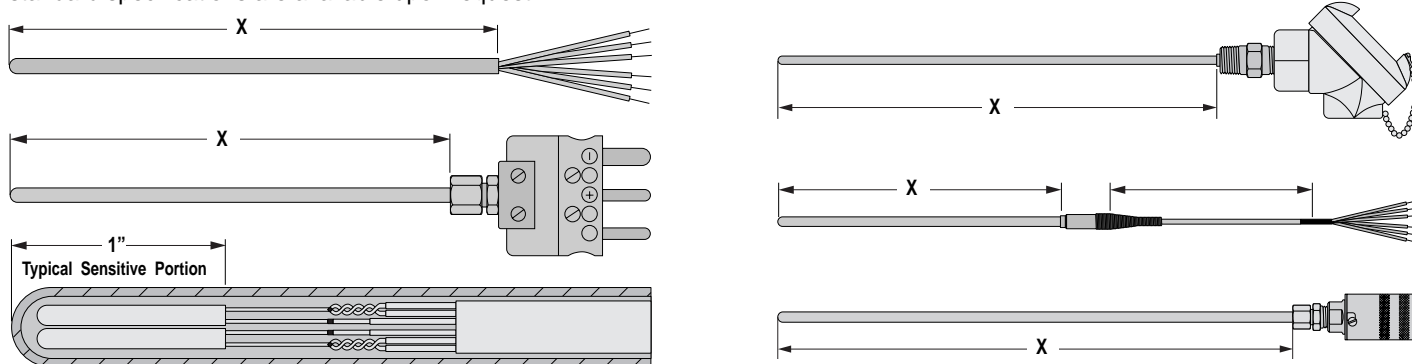


Copyright © 1993, Pyromation, Inc.

The duplex element RTDs illustrated and described on this and the following pages have two measuring elements within a single sheath and are designed to measure temperature in a variety of process and laboratory applications. These RTDs are specifically designed for use in two different process temperature ranges and they will provide accurate and repeatable temperature measurement through a broad range of -328 to 1112°F (-200 to 600°C). **Low range RTDs -328 to 400°F (-200 to 204°C)** are constructed using silver plated copper internal leads, teflon and other suitable wire insulations with potting compounds to resist moisture penetration. **High range RTDs -328 to 1112°F (-200 to 600°C)** are constructed with nickel internal leads inside swaged MgO insulated cable to allow higher temperature measurements at the RTD element and to provide higher temperature lead protection along the sheath. The following tables allow customer selection of standard element materials, initial accuracies, sheath materials and diameters, mounting fittings and terminations. Custom built assemblies with non-standard specifications are available upon request.



Example Order Number:

R5T285L 48 06 3 T - See pages RTD-3 thru RTD-6 for options

1-1 DUPLEX PLATINUM RTD ELEMENTS					1-2 316 SS SHEATH				
ELEMENT ACCURACY @ 0°C				SPECS		DIAMETERS			
± .1%	± .03%	± .01%	± .12%	VALUE IN OHMS	TEMP. COEF.	1/8" OD	3/16" OD	1/4" OD	3/8" OD
ORDER CODE	ORDER CODE	ORDER CODE	ORDER CODE			ORDER CODE	ORDER CODE	ORDER CODE	ORDER CODE
Low Range -328 to 400°F (-200 to 204°C)									
R1T285L	R3T285L	R5T285L		100	.00385		38	48	68
R1T291L	R3T291L			100	.00391		38	48	68
R1T225L				200	.00385		38	48	68
		R5T225L		200	.00385				68
R1T221L				200	.00391		38	48	68
			RBF255L	500	.00385		38	48	68
			RBF295L	1000	.00385		38	48	68
High Range -328 to 1112°F (-200 to 600°C)									
R1T285H	R3T285H	R5T285H		100	.00385		38	48	68
R1T291H	R3T291H			100	.00391		38	48	68
R1T225H				200	.00385				68
R1T221H				200	.00391				68
DUPLEX COPPER, NICKEL, NICKEL-IRON RTD ELEMENTS					316 SS SHEATH				
ACCURACY @ 0°C			ELEMENT MATERIAL	SPECS		DIAMETERS			
± .2%	± .5%			VALUE IN OHMS	TEMP. COEF.	1/8" OD	3/16" OD	1/4" OD	3/8" OD
ORDER CODE	ORDER CODE					ORDER CODE	ORDER CODE	ORDER CODE	ORDER CODE
Low Range -328 to 400°F (-200 to 204°C)									
RCT210L			Copper	10	.00427			48	68
	RDT212L		Nickel	120	.00672			48	68
	RDT264L		Nickel - Iron	604	.00518			48	68

OPTION	
ORDER CODE	DESCRIPTION
T	Teflon coated sheath (400°F max.)

Use this table only if option is desired

ELEMENT WIRE	
ORDER CODE	DESCRIPTION
2	2 wire per element
3	3 wire per element

LENGTH	
ORDER CODE	
2 DIGIT 'X' LENGTH	

1-2A ORDER CODE	Nominal Sheath Dia.	Tip Dia.	Tip Length	Material
68R48	3/8" OD	1/4" OD	1 1/4"	316 SS
68R38	3/8" OD	3/16" OD	1 1/4"	316 SS
48R38	1/4" OD	3/16" OD	1 1/4"	316 SS

REDUCED TIP RTD's
Table 1-2A lists RTD elements with reduced tip sheaths. To order, use order code numbers from Tbl. 1-2A in place of straight sheath order code numbers from Tbl. 1-2. Other reduced tips are available upon request. Example: R1T285L**68R48**063