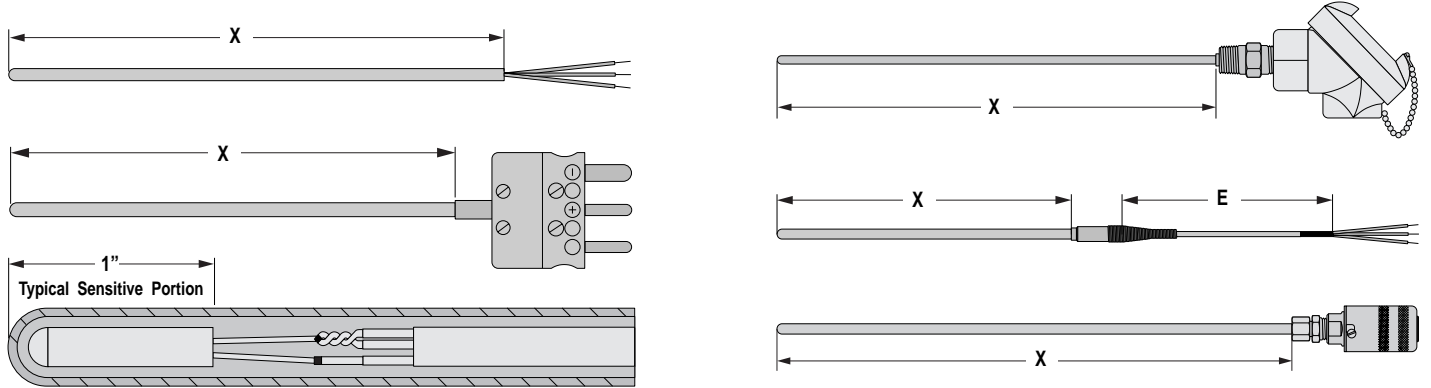


The single element RTDs illustrated and described on this and the following pages are designed to measure temperature in a variety of process and laboratory applications. These RTDs are specifically designed for use in two different process temperature ranges and they will provide accurate and repeatable temperature measurement through a broad range of -328 to 1112°F (-200 to 600°C). **Low range RTDs -328 to 400°F (-200 to 204°C)** are constructed using silver plated copper internal leads, teflon, and other suitable wire insulations with potting compounds to resist moisture penetration. **High range RTDs -328 to 1112°F (-200 to 600°C)** are constructed with nickel internal leads inside swaged MgO insulated cable to allow higher temperature measurements at the RTD element and to provide higher temperature lead protection along the sheath. The following tables allow customer selection of standard element materials, initial accuracies, sheath materials and diameters, mounting fittings and terminations. Custom built assemblies with non-standard specifications are available upon request.



Example Order Number:

R5T185L 48 06 3 T - See pages RTD-3 thru RTD-6 for options

SINGLE PLATINUM RTD ELEMENTS					316 SS SHEATH				
ELEMENT ACCURACY @ 0° C				SPECS		DIAMETERS			
± .1%	± .03%	± .01%	± .12%	VALUE IN OHMS	TEMP. COEF.	1/8" OD	3/16" OD	1/4" OD	3/8" OD
ORDER CODE	ORDER CODE	ORDER CODE	ORDER CODE			ORDER CODE	ORDER CODE	ORDER CODE	ORDER CODE
Low Range -328 to 400°F (-200 to 204°C)									
R1T185L	R3T185L	R5T185L		100	.00385	28	38	48	68
R1T191L	R3T191L			100	.00391	28	38	48	68
R1T125L				200	.00385	28	38	48	68
	R3T125L	R5T125L		200	.00385		38	48	68
R1T121L				200	.00391	28	38	48	68
			RBF155L	500	.00385	28	38	48	68
			RBF195L	1000	.00385	28	38	48	68
High Range -328 to 1112°F (-200 to 600°C)									
R1T185H	R3T185H	R5T185H		100	.00385	28	38	48	68
R1T191H	R3T191H			100	.00391	28	38	48	68
R1T125H				200	.00385		38	48	68
	R3T125H	R5T125H		200	.00385		38	48	68
R1T121H				200	.00391		38	48	68
			RBF155H	500	.00385		38	48	68
			RBF195H	1000	.00385		38	48	68
SINGLE COPPER, NICKEL, NICKEL-IRON RTD ELEMENTS					316 SS SHEATH				
ACCURACY @ 0° C			ELEMENT MATERIAL	SPECS		DIAMETERS			
± .2%	± .5%			VALUE IN OHMS	TEMP. COEF.	1/8" OD	3/16" OD	1/4" OD	3/8" OD
ORDER CODE	ORDER CODE					ORDER CODE	ORDER CODE	ORDER CODE	ORDER CODE
Low Range -328 to 400°F (-200 to 204°C)									
RCT110L			Copper	10	.00427	28	38	48	68
	RDT112L		Nickel	120	.00672	28	38	48	68
	RDT164L		Nickel - Iron	604	.00518		38	48	68

OPTION	
ORDER CODE	DESCRIPTION
T	Teflon coated sheath (400°F Max.)

Use this table only if option is desired

ELEMENT WIRE	
ORDER CODE	DESCRIPTION
2	2 wire per element
3	3 wire per element
4	4 wire per element

LENGTH	
ORDER CODE	2 DIGIT 'X' LENGTH

ORDER CODE	Nominal Sheath Dia.	Tip Dia.	Tip Length	Material
68R48	3/8" OD	1/4" OD	1 1/4"	316 SS
68R38	3/8" OD	3/16" OD	1 1/4"	316 SS
68R28	3/8" OD	1/8" OD	1 1/4"	316 SS
48R38	1/4" OD	3/16" OD	1 1/4"	316 SS
48R28	1/4" OD	1/8" OD	1 1/4"	316 SS

REDUCED TIP RTD's
 Table 1-2A lists RTD elements with reduced tip sheaths. To order, use order code numbers from Tbl. 1-2A in place of straight sheath order code numbers from Tbl. 1-2. Other reduced tips are available upon request. Example: R1T185L68R48063