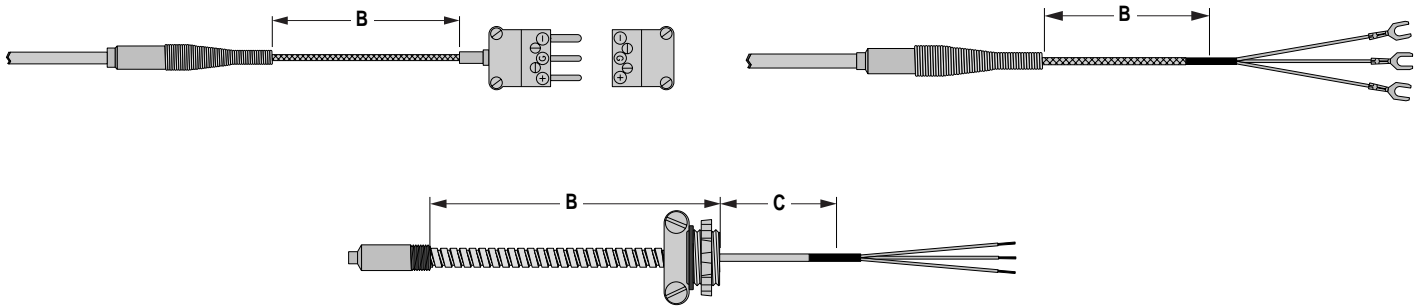


Select desired leadwire type by order code number, followed by desired length in inches.



EXAMPLE ORDER NUMBER: R1T185L48063T - Table 1 - 01A,306 - Table 2 - 15 - Table 3 - **3036** - Table 4 - **PAGE RTD 6** - Table 5

INSULATION	STRANDED CONDUCTOR EXTENSION LEADWIRE												
	INSULATED WIRE ONLY		INSULATED WIRE in SS FLEX ARMOR		INSULATED WIRE with SS OVERBRAID		WIRE GAUGE SIZE		LEADWIRE INSULATION		WIRE INS. CODE	INSUL. MAX. TEMP. LIMITS	
	ORDER CODE <sup>1</sup>		ORDER CODE <sup>1</sup> / <sub>3</sub>		ORDER CODE <sup>1</sup>		SGL	DUP	EACH CONDUCTOR	OVERALL JACKET			
	SINGLE	DUPLEX <sup>4</sup>	SINGLE	DUPLEX	SINGLE	DUPLEX <sup>4</sup>							
FIBERGLASS	4 ___ (12" Length Limit)	___	___	___	___	___	___	24	---	Glass	None	1316	900°F
	8 ___	8 ___ <sup>5</sup>	8A ___	8A ___ <sup>5</sup>	___	___	___	24	24	Glass	Glass	1394/705 <sup>5</sup>	900°F
	___	___	___	___	9B ___	___	___	24	---	Glass	Glass/OB	1391/1390 <sup>6</sup>	900°F
TEFLON	1 ___ (12" Length Limit)	1 ___ (12" Length Limit)	___	___	___	___	___	24	28	Teflon (TFE)	None	1315/1329	400°F
	3 ___	3 ___	3A ___	3A ___	___	___	___	24	28	Teflon (TFE)	Teflon (TFE)	1313/1329 1311 (1/8)	400°F
	5 ___	___	___	___	___	___	___	24	---	Teflon (FEP)	FEP/OB/FEP	1376	400°F
	7 ___ <sup>7</sup>	___	7A ___	___	___	___	___	24	---	Teflon (TFE)	Aluminum Mylar Shield with Drain Teflon (TFE)	1392	400°F

- 1 Insert wire code number and 3 digit "B" length code. **Example: 3036 = 36" B length**
- 2 For assemblies requiring leadwire beyond the flexible armor, illustrated as "C" in drawing, insert 3 digit "C" length after armor length. **Example: 8A036-12 = 36" B length with additional 12" C length leads beyond armor**
- 3 All Teflon insulated leadwires in flexible armor are available with either extruded PVC or Teflon covering over the flexible armor. Substitute suffix codes T (Teflon) or P (PVC) for the suffix "A" code above. **Example: 2T is Teflon covered armor**
- 4 Duplex elements supplied with individual leads
- 5 Duplex elements made using 705 fiberglass leadwire are 2-wire construction only
- 6 1390 fiberglass with S.S. overbraided leadwire is 2-wire only
- 7 Limited to use with Table 3 transition fitting options 15, 15H, or 16. Drain wire attached to transition fitting.