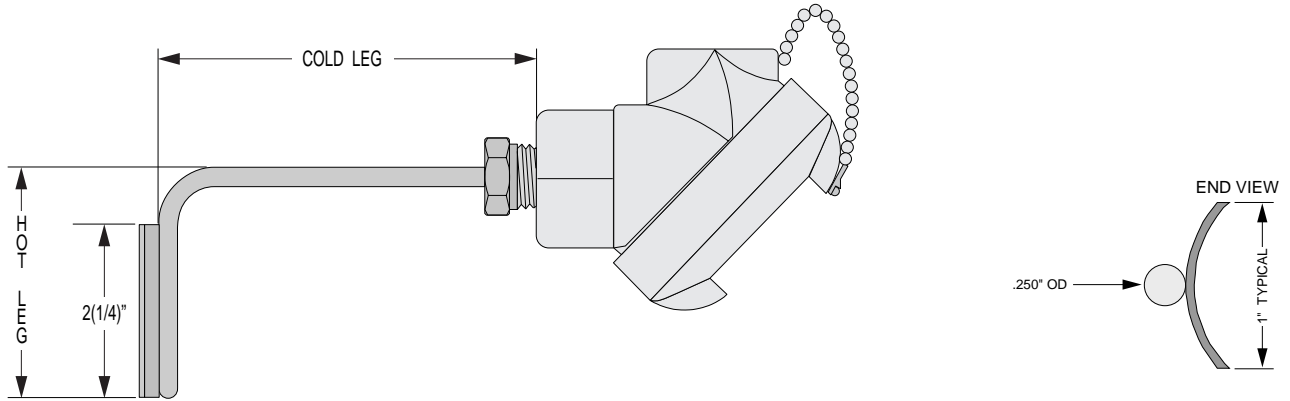


SPECIAL PURPOSE

HEAT TRACING TEMPERATURE SENSORS

Copyright © 1997, Pyromation, Inc.

The below listed temperature sensors are intended for use in 'Heat Tracing' systems to measure the surface temperature of process piping that is carrying products whose temperatures must be controlled to prevent freeze-up, or to maintain a viscosity level so that the inner medium will flow. These sensors are offered with either **Thermocouple** or **RTD** sensing elements inside 316SS sheaths, and with radiused stainless steel mounting pads. Cold legs are available in customer specified lengths to accommodate pipe insulation thickness.



EXAMPLE
ORDER
NUMBER:

J48G - **HT** - **0304** - **18RG** - **10** - **I**

1.1

THERMOCOUPLE STYLES			
ORDER CODE	T/C TYPE	HOT JUNCTION STYLE	SHEATH INSULATION
J48G	J	Grounded	MgO
K48G	K	Grounded	MgO
T48G	T	Grounded	MgO
E48G	E	Grounded	MgO

For ungrounded hot junctions substitute the letter "U" in place of the "G" above.

1.2

100 OHM PLAT. 3 WIRE RTD STYLES			
ORDER CODE	0°C ELEMENT ACCURACY	MAXIMUM TEMP. RATING	INSULATION TYPE
RBF185L	± .12%	400° F	Teflon
RBF185M	± .12%	900° F	Fiberglass
R1T185H	± .1%	1100° F	MgO

3

SHEATH LENGTHS		
ORDER CODE	HOT LEG	COLD LEG
0304	3"	4"
0306	3"	6"
0308	3"	8"

Consult factory for other hot leg lengths or cold leg lengths

OPTIONS	
ORDER CODE	DESCRIPTION
I	Stainless steel identification tags
T	RTD transmitter (see page RTD-11)

SCREW COVER CONNECTION HEADS	
ORDER CODE	DESCRIPTION
10	Aluminum
20	Cast Iron
30	316L stainless steel
40	Polypropylene
50	Delrin
60	Explosion proof-316L SS
70	Explosion proof-Cast Iron/Alum.
HEAD OPTIONS (ADD TO ABOVE CODES)	
GS	Internal ground screw
W	White epoxy coating for head codes 10, 20, and 70
Y	Ceramic terminal block for head codes 40 and 50
CC	1/2" NPT conduit bushing

RADIUS MOUNTING PADS 1" W x 2(1/4)" L x 18 Ga. 304SS			
ORDER CODE	NPT PIPE SIZE	ORDER CODE	NPT PIPE SIZE
18RE	1"	18RL	4"
18RG	1(1/2)"	18RM	5"
18RH	2"	18RN	6"
18RI	2(1/2)"	18RO	8"
18RJ	3"	18RP	10"
18RK	3(1/2)"	18*	12"

** All 12" pipe sizes and larger are supplied as a flat non-radiused plate.*