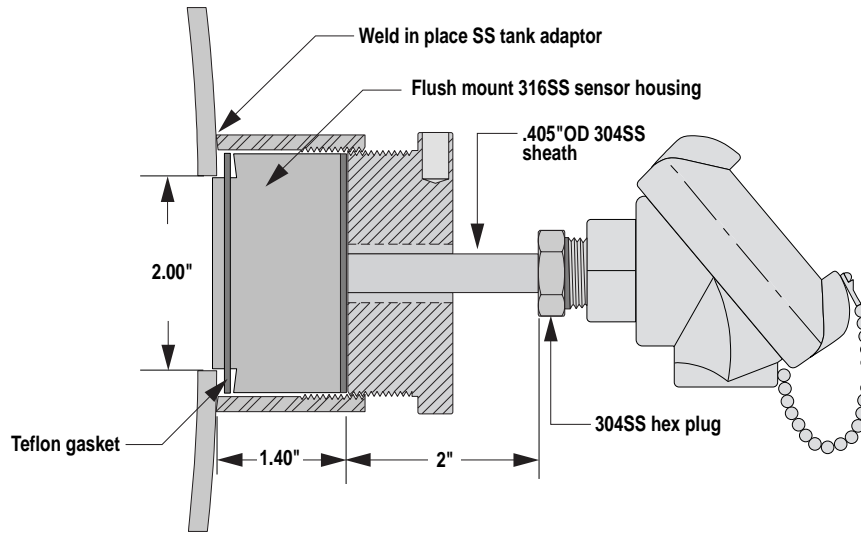


# SPECIAL PURPOSE

# NON-INTRUSIVE FLUSH MOUNT TANK WALL RTD SENSOR

Copyright © 1993, Pyromation, Inc.

The non-intrusive flush mount RTD temperature sensor listed below can be mounted on single wall mixing and storage tanks as found in many food, dairy, beverage, pharmaceutical, and chemical processing applications. These sensors are designed to be mounted through the tank wall with the measuring surface of the RTD assembly being flush with the inside of the tank wall and in direct contact with the tank's contents, but not intruding into mixing or wiping blades. This assembly can be mounted on tanks with a wall thickness of up to 3/16". The complete assembly is provided with a weld-in-place tank sleeve, the RTD sensor assembly, a teflon sealing gasket, and the sensor backing nut. The 3-wire RTD assembly is provided with a high accuracy platinum element bonded to the stainless steel measuring surface. All materials of construction are FDA compliant materials.



**Maximum Temperature Rating: 400°F (204°C)**

EXAMPLE ORDER NUMBER: **RBF185FCM023** - **FCM** - **63**

1 100 OHM PLATINUM RTD ASSEMBLIES and MOUNTING HARDWARE			
ORDER CODE	Temp. Coef.	Accuracy @ 0°C	DESCRIPTION
RBF185FCM023	.00385	± .12%	Complete assembly w/mounting kit
R1T191FCM023	.00391	± .1%	Complete assembly w/mounting kit
RBF185023 - FCM	.00385	± .12%	RTD assembly less mounting kit
R1T191023 - FCM	.00391	± .1%	RTD assembly less mounting kit
FCM - 1A			Weld on tank adaptor
FCM - 1G			Teflon gasket
FCM - 1N			Backing nut

2 OPTIONS	
ORDER CODE	DESCRIPTION
63	White polypropylene head
31W	White epoxy coated alum. head
0	W/o head with 6" teflon leads
T	Integral head mounted transmitter (See page RTD - 11)
HS	Head supplied with wire seal security screws
I	Stainless steel tags

**Note:** Above assemblies are provided with 2" stem length. For other stem lengths change order code digits 02 to desired length. Example: RBF185FCM043 = 4" stem length

To order thermocouples change order code letters RBF185 or R1T191 to J, K, T, or E. Example: JFCM023 -