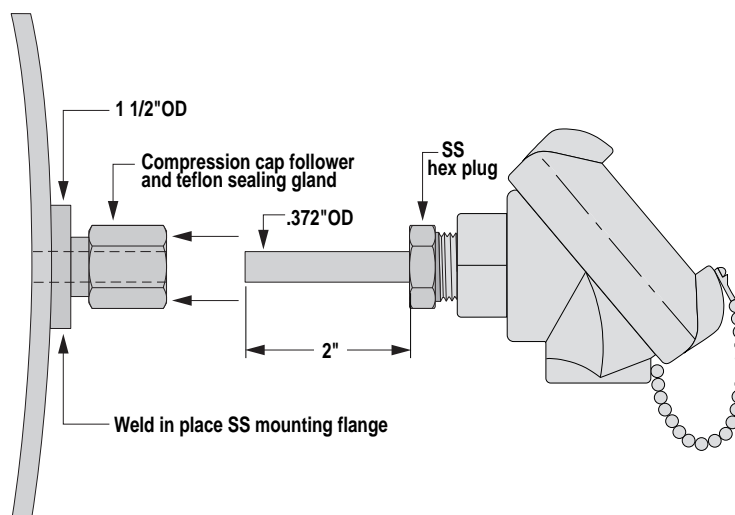


SPECIAL PURPOSE

NON-INTRUSIVE TANK WALL RTD SENSORS

Copyright © 1993, Pyromation, Inc.

The non-intrusive tank wall RTD temperature sensors listed below are used in single wall mixing tanks as found in many food, dairy, pharmaceutical, and chemical process applications. These sensors are designed to be mounted through the tank wall with the flat tip sensor sheath being flush with the inside of the tank wall and being in direct contact with the product being mixed, but not intruding into the wiping action of the mixer blades. This special tip sensitive RTD assembly can be mounted on any tank or mixing vat with a wall thickness of 3/16" through 1/2". The complete assembly is provided with a weld-in place mounting flange and a pressure tight adjustable compression cap with a stainless steel follower and a teflon sealing gland. The 3-wire constructed sensor assembly consists of a high accuracy platinum RTD element sealed inside a 316 stainless steel sheath and is provided with a FDA compliant white thermoplastic gasketed connecting head. The complete assembly provides excellent washdown protection, however it is recommended that once customer connections are made, the connecting terminals be further protected by applying a coating of a moisture proof sealant over the connections. See page SP-1 for sealant.



Maximum Temperature Rating: 400°F (204°C)

Maximum Pressure Rating: 150 PSI

EXAMPLE ORDER NUMBER: **R1T185FM023** - **FM** - **63**

100 OHM PLATINUM RTD ASSEMBLIES and MOUNTING KITS			
ORDER CODE	Temp. Coef.	Accuracy @ 0°C	DESCRIPTION
R1T185FM023	.00385	± .1%	Complete assembly w/mounting kit
R1T191FM023	.00391	± .1%	Complete assembly w/mounting kit
R1T185FM023 - 00	.00385	± .1%	RTD assembly less mounting kit
R1T191FM023 - 00	.00391	± .1%	RTD assembly less mounting kit
FM - 1			Tank mounting kit only

OPTIONS	
ORDER CODE	DESCRIPTION
63	White polypropylene head
31W	White epoxy coated alum. head
0	W/o head with 6" teflon leads
T	Integral head mounted transmitter (See page RTD - 11)
HS	Head supplied with wire seal security screws
I	Stainless steel tags

Note: Above assemblies are provided with 2" stem length. For other stem lengths change order code digits 02 to desired length. Example: R1T185FM043 = 4" stem length

To order thermocouples change order code letters R1T185 or R1T191 to J, K, T, or E. Example: JFM023 -