

The Premium Pump

LKH Centrifugal Pump

Applications

The LKH pump is a highly efficient and economical centrifugal pump, which meets the requirements of sanitary and gentle product treatment and chemical resistance. LKH is available in eleven sizes, LKH-5, -10, -15, -20, -25, -35, -40, -45, -50, -60 and -70

Standard design

The LKH pump consists of a standard motor, stub shaft, mechanical compression coupling (LKH-5 with set screws), adaptor, back plate, impeller, impeller screw, pump casing and shaft seal. (LKH-5 has clamp connection between pump casing and back plate). The LKH pump is designed for CIP with emphasis on large internal roundings and cleanable seals.

Shaft seals

The LKH pump is equipped with either an external single or a flushed shaft seal. Both have stationary seal rings in acid-resistant steel AISI 329 with sealing surface in silicon carbide and rotating seal rings in carbon. The secondary seal of the flushed seal is a long lasting lip seal. The pump may also be equipped with a double mechanical shaft seal.

Materials

Product wetted steel parts:	Acid-resistant steel AISI 316L
Other steel parts:	Stainless steel AISI 304
Finish:	Polished $\leq 32Ra$. and 3A approved
Product wetted seals:	EPDM rubber.

Technical data

Max. inlet pressure	
LKH-5	87 PSI
LKH-10 - LKH-70	145 PSI
Temperature range	14°F to +284° F (EPDM)
Noise level (at 3.3 ft.):	60 - 85 dB (A).
Single flushed seal:	
Water pressure	Normally atmospheric maximum 14.5 PSI
Water consumption	0.06-0.12 GPM
Double flushed seal:	
Water pressure	Maximum 72.5 PSI
Water consumption	0.06-0.12 GPM

Connections for FSS and DMSS

R 1/8" (BSP) external thread.



LKH-10

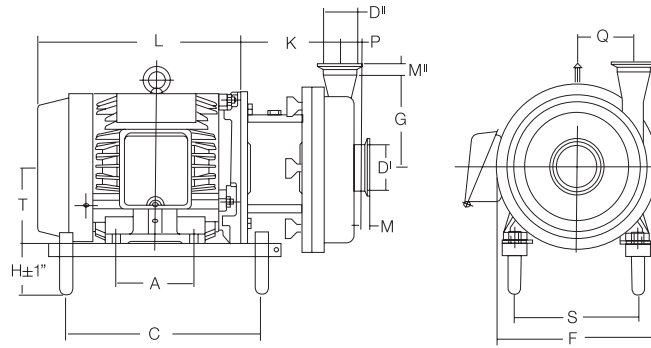
Motor

Standard C-faced, foot mounted motor according to NEMA standard. 3500 RPM or 1750 RPM. Standard efficiency, Class F. Note frame size per horsepower.

Voltage and frequency

3 phase, 60 HZ, 230/460V standard. Other voltages and frequencies available upon request.

Dimensions (in)



LKH-5

Size	Motor			
	1 Hp (S6C)	1.5 Hp (143TC)	2 Hp (145TC)	3 HP (182TC)
A	4.00	4.00	5.00	4.50
C	9.53	9.53	9.53	12.60
F	7.87	7.87	7.87	7.87
G	6.22	6.22	6.22	6.22
H	3.50	3.50	3.50	3.50
K	5.31	5.31	5.31	5.90
L	16.53	16.53	17.52	18.01
P	0.866	0.866	0.866	0.866
Q	2.80	2.80	2.80	2.80
S	5.50	5.50	5.50	7.50
T	3.50	3.50	3.50	4.50
Approximate weight (lbs.)	69.00	79.90	79.90	99.90

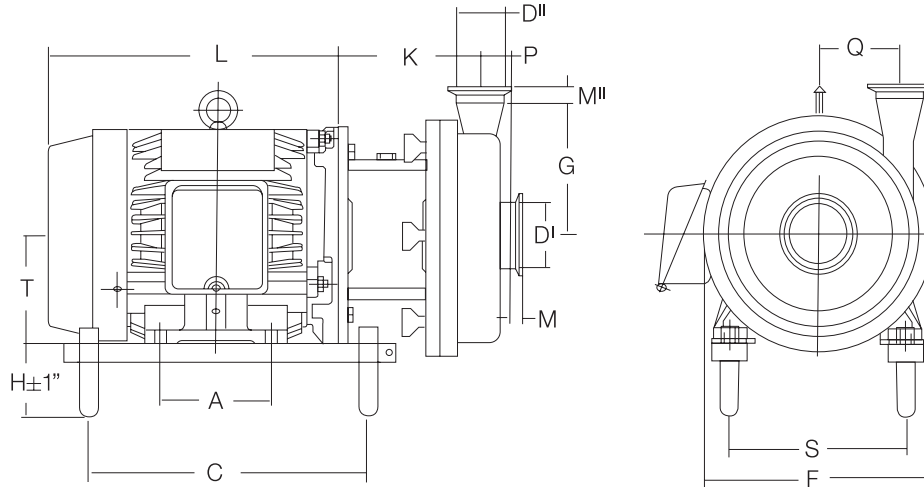
LKH-10

Size	Motor						
	1 Hp (143TC)	1.5 Hp (143TC)	2 Hp (145TC)	3 HP (182TC)	5 Hp (184TC)	7.5 Hp (213TC)	10 Hp (215TC)
A	4.00	4.00	5.00	4.50	5.50	5.50	7.00
C	9.53	9.53	9.53	12.60	12.60	14.17	14.17
F	9.72	9.72	9.72	9.72	9.72	9.72	9.72
G	5.59	5.59	5.59	5.59	5.59	5.59	5.59
H	3.50	3.50	3.50	3.50	3.50	3.50	3.50
K	5.35	5.35	5.35	5.87	5.87	5.87	5.87
L	16.91	16.91	18.22	19.41	19.69	23.20	24.74
P	0.91	0.91	0.91	0.91	0.91	0.91	0.91
Q	3.43	3.43	3.43	3.43	3.43	3.43	3.43
S	5.51	5.51	5.51	7.48	7.48	8.50	8.50
T	3.50	3.50	3.50	4.50	4.50	5.25	5.25
Approximate weight (lbs.)	81.00	89.00	91.00	111.00	128.00	179.00	204.00

LKH-15

Size	Motor							
	1 Hp (143TC)	1.5 Hp (143TC)	2 Hp (145TC)	3 Hp (182TC)	5 Hp (184TC)	7.5 Hp (213TC)	10 Hp (215TC)	15 Hp (254TC)
A	4.00	4.00	5.00	4.50	5.50	5.50	7.00	7.00
C	9.53	9.53	9.53	12.60	12.60	14.17	14.17	19.02
F	9.72	9.72	9.72	9.72	9.72	9.72	9.72	9.72
G	6.54	6.54	6.54	6.54	6.54	6.54	6.54	6.54
H	3.50	3.50	3.50	3.50	3.50	3.50	3.50	3.50
K	5.98	5.98	5.98	6.50	6.50	7.24	7.24	8.25
L	18.33	18.33	19.32	20.33	21.38	24.62	25.03	29.76
P	1.70	1.70	1.70	1.70	1.70	1.70	1.70	1.70
Q	2.61	2.61	2.61	2.61	2.61	2.61	2.61	2.61
S	5.51	5.51	5.51	7.48	7.48	8.50	8.50	8.50
T	3.50	3.50	3.50	4.50	4.50	5.25	5.25	5.25
Approximate weight (lbs.)	88.00	96.00	98.00	118.00	135.00	186.00	211.00	304.00

Dimensions (in)



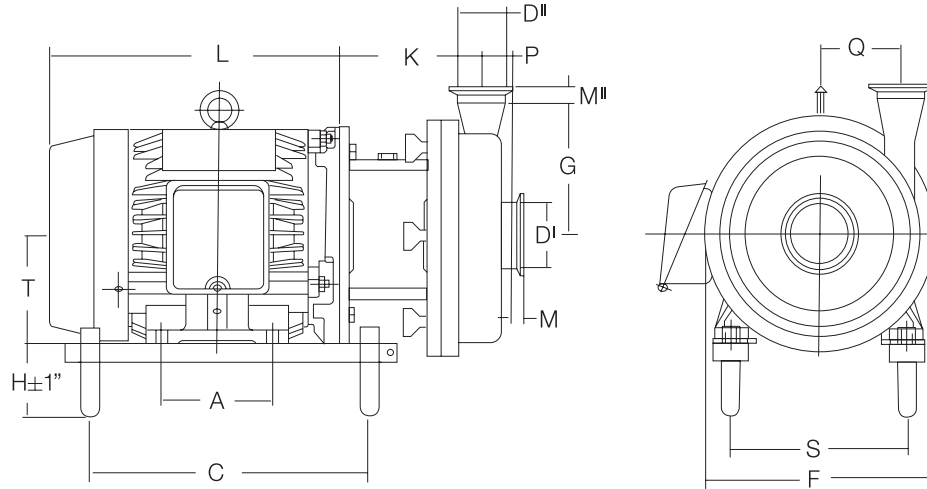
LKH-20

Size	Motor							
	1 Hp (143TC)	1.5 Hp (143TC)	2 Hp (145TC)	3 HP (182TC)	5 Hp (184TC)	7.5 Hp (213TC)	10 Hp (215TC)	15 Hp (254TC)
A	4.00	4.00	5.00	4.50	5.50	5.50	7.00	8.25
C	9.53	9.53	9.53	12.60	12.60	14.17	14.17	19.02
F	9.96	9.96	9.96	9.96	9.96	9.96	9.96	9.96
G	7.09	7.09	7.09	7.09	7.09	7.09	7.09	7.09
H	3.50	3.50	3.50	3.50	3.50	3.50	3.50	3.50
K	5.67	5.67	5.67	6.18	6.18	6.93	6.93	7.95
L	17.38	17.38	18.28	19.37	20.42	23.67	25.21	28.82
P	1.06	1.06	1.06	1.06	1.06	1.06	1.06	1.06
Q	3.47	3.47	3.47	3.47	3.47	3.47	3.47	3.47
S	5.51	5.51	5.51	7.48	7.48	8.50	8.50	10.00
T	3.50	3.50	3.50	4.50	4.50	5.25	5.25	5.25
Approximate weight (lbs.)	85.00	93.00	95.00	115.00	132.00	183.00	208.00	301.00

LKH-25

Size	Motor										
	1 Hp (143TC)	1.5 Hp (143TC)	2 Hp (145TC)	3 HP (182TC)	5 Hp (184TC)	7.5 Hp (213TC)	10 Hp (215TC)	15 Hp (254TC)	20 Hp (256TC)	25 Hp (284TSC)	30 Hp (286TSC)
A	4.00	5.00	5.00	4.50	5.50	5.50	7.00	8.25	10.00	9.50	11.00
C	9.53	9.53	9.53	12.60	12.60	14.17	14.17	19.02	19.02	20.00	20.00
F	11.93	11.93	11.93	11.93	11.93	11.93	11.93	11.93	11.93	11.93	11.93
G	7.60	7.60	7.60	7.60	7.60	7.60	7.60	7.60	7.60	7.60	7.60
H	3.50	3.50	3.50	3.50	3.50	3.50	3.50	3.50	3.50	3.50	3.50
K	5.98	5.98	5.98	6.50	6.50	7.24	7.24	8.07	8.07	8.07	8.07
L	17.91	17.91	18.90	19.91	20.96	24.20	25.74	29.16	30.91	32.91	34.41
P	1.28	1.28	1.28	1.28	1.28	1.28	1.28	1.28	1.28	1.28	1.28
Q	4.17	4.17	4.17	4.17	4.17	4.17	4.17	4.17	4.17	4.17	4.17
S	5.51	5.51	5.51	7.48	7.48	8.50	8.50	10.00	10.00	11.00	11.00
T	3.50	3.50	3.50	4.50	4.50	5.25	5.25	6.25	6.25	7.00	7.00
Approximate weight (lbs.)	95.00	103.00	105.00	125.00	142.00	193.00	218.00	311.00	361.00	442.00	473.00

Dimensions (in)



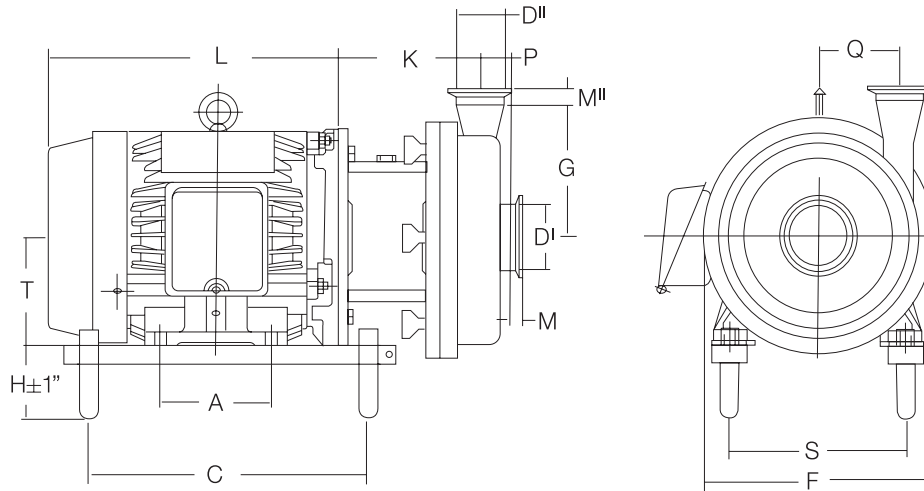
LKH-35

Size	Motor									
	1.5 Hp (143TC)	2 Hp (145TC)	3 HP (182TC)	5 Hp (184TC)	7.5 Hp (213TC)	10 Hp (215TC)	15 Hp (254TC)	20 Hp (256TC)	25 Hp (284TSC)	30 Hp (286TSC)
A	4.00	5.00	4.50	5.50	5.50	7.00	8.27	10.00	9.49	11.00
C	9.53	9.53	12.60	12.60	14.17	14.17	19.02	19.02	20.00	20.00
F	11.93	11.93	11.93	11.93	11.93	11.93	11.93	11.93	11.93	11.93
G	7.60	7.60	7.60	7.60	7.60	7.60	7.60	7.60	7.60	7.60
H	3.50	3.50	3.50	3.50	3.50	3.50	3.50	3.50	3.50	3.50
K	5.55	5.55	6.06	6.06	6.81	6.81	7.83	7.83	7.83	7.83
L	17.11	18.10	19.10	20.15	20.15	24.94	28.55	30.30	32.30	33.80
P	0.91	0.91	0.91	0.91	0.91	0.91	0.91	0.91	0.91	0.91
Q	4.68	4.68	4.68	4.68	4.68	4.68	4.68	4.68	4.68	4.68
S	5.51	5.51	7.48	7.48	8.50	8.50	10.00	11.00	11.00	11.00
T	3.50	3.50	4.50	4.50	5.25	5.25	6.25	6.25	7.00	7.00
Approximate weight (lbs.)	99.00	101.00	121.00	138.00	189.00	214.00	307.00	357.00	438.00	469.00

LKH-40

Size	Motor									
	1.5 Hp (143TC)	2 Hp (145TC)	3 HP (182TC)	5 Hp (184TC)	7.5 Hp (213TC)	10 Hp (215TC)	15 Hp (254TC)	20 Hp (256TC)	25 Hp (284TSC)	30 Hp (286TSC)
A	4.00	5.00	4.50	5.50	5.50	7.00	8.25	10.00	9.50	11.00
C	9.53	9.53	12.60	12.60	14.17	14.17	19.02	19.02	20.00	20.00
F	12.95	12.95	12.95	12.95	12.95	12.95	12.95	12.95	12.95	12.95
G	8.35	8.35	8.35	8.35	8.35	8.35	8.35	8.35	8.35	8.35
H	3.50	3.50	3.50	3.50	3.50	3.50	3.50	3.50	3.50	3.50
K	5.75	5.75	6.26	6.26	7.01	7.01	8.03	8.03	8.03	8.03
L	17.50	18.49	19.49	22.54	23.79	25.33	28.94	30.69	32.69	34.19
P	1.10	1.10	1.10	1.10	1.10	1.10	1.10	1.10	1.10	1.10
Q	4.96	4.96	4.96	4.96	4.96	4.96	4.96	4.96	4.96	4.96
S	5.51	5.51	7.48	7.48	8.50	8.50	10.00	10.00	11.00	11.00
T	3.50	3.50	4.50	4.50	5.25	5.25	6.25	6.25	7.00	7.00
Approximate weight (lbs.)	108.00	110.00	130.00	147.00	198.00	223.00	316.00	366.00	447.00	487.00

Dimensions (in)



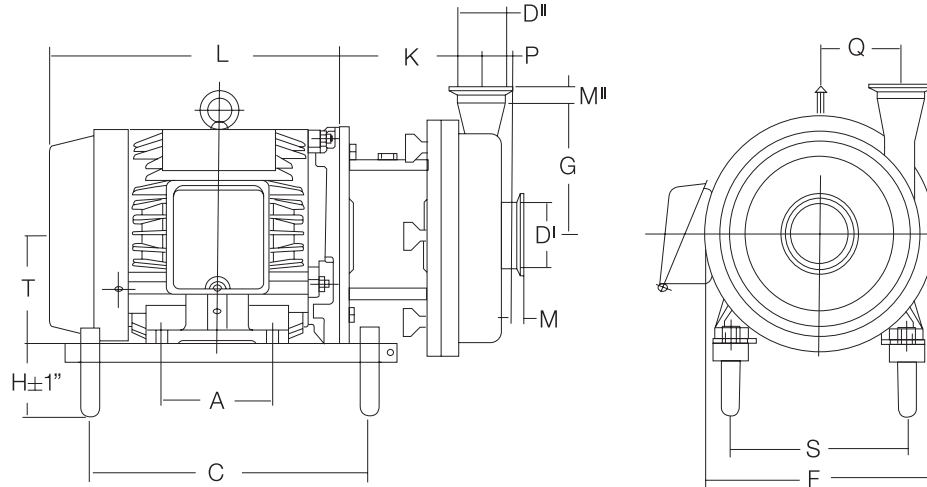
LKH-45

Size	Motor									
	1.5 Hp (143TC)	2 Hp (145TC)	3 Hp (182TC)	5 Hp (184TC)	7.5 Hp (213TC)	10 Hp (215TC)	15 Hp (254TC)	20 Hp (256TC)	25 Hp (284TSC)	30 Hp (286TSC)
A	4.00	5.00	4.50	5.50	5.50	7.00	8.25	10.00	9.50	11.00
C	9.53	9.53	12.60	12.60	14.17	14.17	19.02	19.02	20.00	20.00
F	11.93	11.93	11.93	11.93	11.93	11.93	11.93	11.93	11.93	11.93
G	7.60	7.60	7.60	7.60	7.60	7.60	7.60	7.60	7.60	7.60
H	3.50	3.50	3.50	3.50	3.50	3.50	3.50	3.50	3.50	3.50
K	6.03	6.03	6.54	6.54	7.29	7.29	8.31	8.31	8.31	8.31
L	18.27	19.26	20.26	21.31	24.56	26.10	29.71	31.46	33.46	34.96
P	1.59	1.59	1.59	1.59	1.59	1.59	1.59	1.59	1.59	1.59
Q	3.83	3.83	3.83	3.83	3.83	3.83	3.83	3.83	3.83	3.83
S	5.51	5.51	7.48	7.48	8.50	8.50	10.00	10.00	11.00	11.00
T	3.50	3.50	4.50	4.50	5.25	5.25	6.25	6.25	7.00	7.00
Approximate Weight (lbs.)	105.00	107.00	127.00	144.00	195.00	220.00	313.00	363.00	444.00	475.00

LKH-50

Size	Motor									
	1.5 Hp (143TC)	2 Hp (145TC)	3 Hp (182TC)	5 Hp (184TC)	7.5 Hp (213TC)	10 Hp (215TC)	15 Hp (254TC)	20 Hp (256TC)	25 Hp (284TSC)	30 Hp (286TSC)
A	4.00	5.00	4.50	5.50	5.50	7.00	8.25	10.00	9.50	11.00
C	9.53	9.53	12.60	12.60	14.17	14.17	19.02	19.02	20.00	20.00
F	12.95	12.95	12.95	12.95	12.95	12.95	12.95	12.95	12.95	12.95
G	8.07	8.07	8.07	8.07	8.07	8.07	8.07	8.07	8.07	8.07
H	3.50	3.50	3.50	3.50	3.50	3.50	3.50	3.50	3.50	3.50
K	5.91	5.91	6.42	6.42	7.17	7.17	8.27	8.27	8.27	8.27
L	17.98	18.97	19.97	21.02	24.27	26.06	29.50	31.25	33.25	34.75
P	1.42	1.42	1.42	1.42	1.42	1.42	1.42	1.42	1.42	1.42
Q	4.61	4.61	4.61	4.61	4.61	4.61	4.61	4.61	4.61	4.61
S	5.51	5.51	7.48	7.48	8.50	8.50	10.00	10.00	11.00	11.00
T	3.50	3.50	4.50	4.50	5.25	5.25	6.25	6.25	7.00	7.00
Approximate weight (lbs.)	108.00	110.00	130.00	147.00	198.00	223.00	316.00	366.00	447.00	487.00

Dimensions (in)



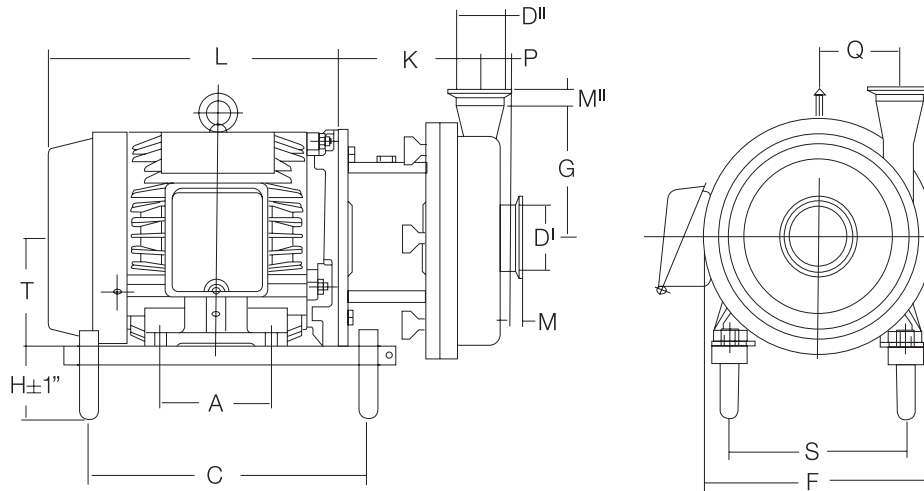
LKH-60

Size	Motor									
	1.5 Hp (143TC)	2 Hp (145TC)	3 Hp (182TC)	5 Hp (184TC)	7.5 Hp (213TC)	10 Hp (215TC)	15 Hp (254TC)	20 Hp (256TC)	25 Hp (284TSC)	30 Hp (286TSC)
A	4.00	5.00	4.50	5.50	5.50	7.00	8.25	10.00	9.50	11.00
C	9.53	9.53	12.60	12.60	14.17	14.17	19.02	19.02	20.00	20.00
F	12.95	12.95	12.95	12.95	12.95	12.95	12.95	12.95	12.95	12.95
G	10.98	10.98	10.98	10.98	10.98	10.98	10.98	10.98	10.98	10.98
H	3.50	3.50	3.50	3.50	3.50	3.50	3.50	3.50	3.50	3.50
K	5.96	5.96	6.47	6.47	7.22	7.22	8.32	8.32	8.32	8.32
L (4 x 4)	19.05	20.04	21.04	22.09	25.34	26.88	30.57	32.32	34.32	35.82
L (6 x 4)	20.63	21.62	22.62	23.67	26.92	28.46	32.15	33.90	35.90	37.40
P (4 x 4)	2.44	2.44	2.44	2.44	2.44	2.44	2.44	2.44	2.44	2.44
P (6 x 4)	4.02	4.02	4.02	4.02	4.02	4.02	4.02	4.02	4.02	4.02
Q	4.02	4.02	4.02	4.02	4.02	4.02	4.02	4.02	4.02	4.02
S	5.51	5.51	7.48	7.48	8.50	8.50	10.00	10.00	11.00	11.00
T	3.50	3.50	4.50	4.50	5.25	5.25	6.25	6.25	7.00	7.00
Approximate weight (lbs.)	113.00	115.00	135.00	152.00	209.00	228.00	321.00	371.00	452.00	483.00

LKH-70

Size	Motor								
	15 Hp (254TC)	20 Hp (256TC)	25 Hp (284TSC)	30 Hp (286TSC)	40 Hp (324TSC)	50 Hp (326TSC)	60 Hp (364TSC)	75 Hp (365TSC)	100 Hp (405TSC)
A	8.25	10.00	9.50	11.00	10.50	12.00	11.25	12.25	13.75
C	19.02	19.02	20.00	20.00	20.00	21.00	21.00	21.00	21.00
F	16.13	16.13	16.13	16.13	16.13	16.13	16.13	16.13	16.13
G 3"	10.35	10.35	10.35	10.35	10.35	10.35	10.35	10.35	10.35
G 4"	13.19	13.19	13.19	13.19	13.19	13.19	13.19	13.19	13.19
H	3.50	3.50	3.50	3.50	3.50	3.50	3.50	3.50	3.50
K	8.21	8.21	8.21	8.21	11.25	11.25	11.25	11.25	11.25
L (4 x 3)	29.52	31.27	33.27	34.77	37.21	38.70	40.31	41.31	47.83
P 4"	1.50	1.50	1.50	1.50	1.50	1.50	1.50	1.50	1.50
Q	5.79	5.79	5.79	5.79	5.79	5.79	5.79	5.79	5.79
S	10.00	10.00	11.00	11.00	12.50	12.50	14.00	14.00	16.00
T	6.25	6.25	7.00	7.00	8.00	8.00	9.00	9.00	10.00
Approximate weight (lbs.)	113.00	115.00	135.00	152.00	209.00	228.00	321.00	371.00	452.00

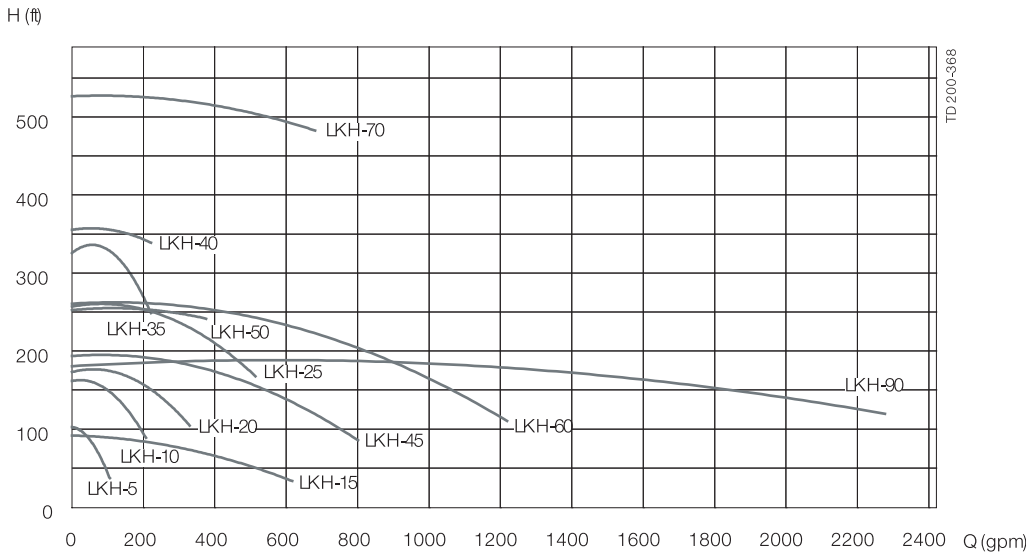
Dimensions (in)
(900315/0)



LKH-90

Size	Motor-Sterling					
	30Hp	40Hp	50Hp	60Hp	75Hp	100Hp
B	11.00	10.50	12.00	11.25	12.25	13.75
C	9.37	9.86	9.86	12.88	12.88	13.87
E	2.56	2.56	2.56	2.56	2.56	2.56
F	11.92	12.92	12.92	13.92	13.92	14.92
G	20.00	21.00	21.00	21.00	21.00	21.00
H	12.20	12.20	12.20	12.20	12.20	12.20
J	11.00	12.50	12.50	14.00	14.00	16.00
Q	15.37	15.87	15.87	16.50	16.50	17.49
R	9.84	9.84	9.84	9.84	9.84	9.84
S	24.02	24.10	26.32	26.92	27.90	33.35
T	7.00	8.00	8.00	9.00	9.00	10.00
U	8.38	8.79	8.79	9.79	9.79	10.79
Z	21.69	21.69	21.69	23.42	23.42	26.86
K	26.16	27.48	27.48	30.44	30.44	33.99
L	34.89	34.97	37.19	37.79	38.77	44.22
Weight (lbs)	939	974	1084	1236	1424	1497

Technical Data
Volumetric Flow



Inlet/Outlet Connections - Tri-Clamp® (inches)

Refer to dimensional drawings

	LKH-5	LKH-10 LKH-20 LKH-35	LKH-25	LKH-40	LKH-15 LKH-45 LKH-50 LKH-70	LKH-60	LKH-60	LKH-90
DI	2.00	2.50	3.00	3.00	4.00	4.00	6.00	6.00
DII	1.50	2.00	2.50	2.00	3.00	4.00	4.00	6.00
MI	0.83	1.13	1.13	1.13	1.13	1.13	1.50	1.5
MII	0.83	1.13	1.13	1.13	1.13	1.13	1.13	1.5

Options

Equipment

- Impeller with reduced diameter.
- Motor for other voltage and/or frequency.
- Motor enclosures: washdown, TEFC, explosion proof, inverter duty and others upon request.
- Inducer (only LKH-10 to -50)
- Flushed shaft seal.
- Double mechanical shaft seal.
- Counter flanges, seal rings and bolts for flanged connections (industrial version).
- Standard clearance is 0.02" (0.04" for LKH-70) and can be made up to 0.098").

Ordering

Please state the following when ordering:

- Pump size.
- Version, sanitary or industrial.
- Connections.
- Seal and Elastomer Type
- Impeller diameter.
- Motor size.
- Voltage and frequency.
- Flow, pressure and temperature.
- Density and viscosity of the product.
- Options.

Material grades

- Surface roughness, product wetted parts: unpolished, 32Ra, micro inches (0.8 mm), or higher finishes
- Product wetted seals of Buna (NBR), Fluoroelastomer (FPM) or FEP.
- Rotating seal ring of silicon carbide.