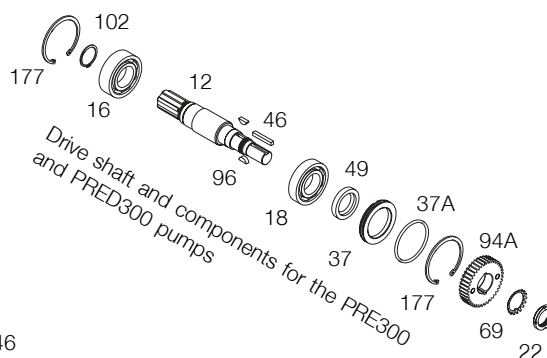
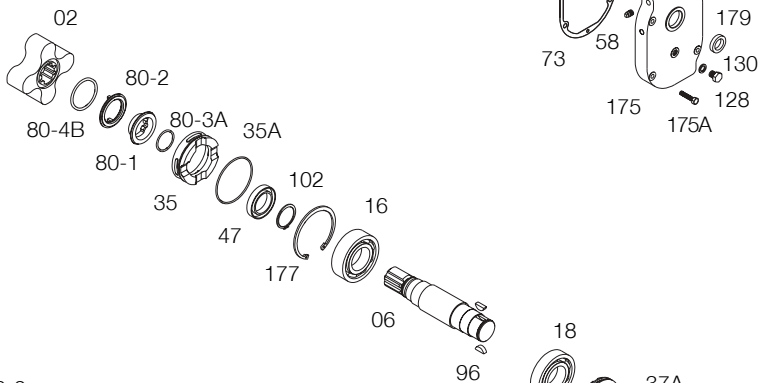
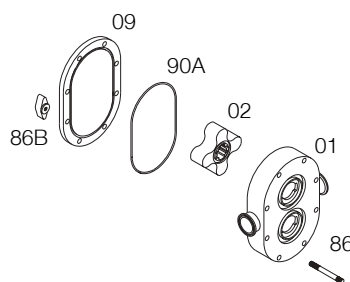
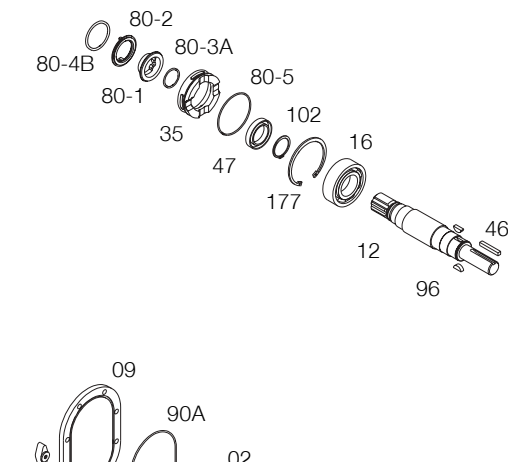


PRE/PRED Series Models 3, 10, 25, 60, 125, 300

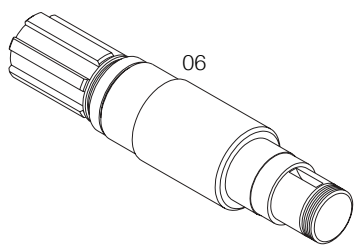
2



Drive shaft and components for the PRE300 and PRED300 pumps



Mechanical seals for PRED pumps



Pump shaft for PRE300 and PRED pumps

PRE/PRED Series

Models 3, 10, 25, 60, 125, 300

Pos.	Qty.	Denomination	PR3	PR10	PR25	PR60	PR125	PR300
01	1	Casing-bevel ports	401697	401681	401464	402493	402973	401525
01	1	Casing Tri-Clamp ports	401695	401682	401690	402492	403000	401526
01	1	Casing-bevel ports enlarged	N/A	N/A	401692	402716	403357	N/A
01	1	Casing Tri-Clamp enlarged	N/A	N/A	400250	402715	403348	N/A
02	2	See pr rotor sheet						
06	1	Pump shaft	400709	401405	401941	402701	403394	403729
08	○	Impeller carbon (s.s. rotors)	N/A	401224	401628	402484	402484	403581
09	1	Front cover	400506	401269	401568	402568	402568	403572
12	1	Drive shaft	400714	401407	401942	402702	403400	403730
16	2	Bearing-inboard	400576	401277	401576	402576	403080	403580
18	2	Bearing-outboard	400576	401277	401576	402576	402576	403582
19	1	Frame	400580	401280	401580	402580	402580	403584
22	2	Locknut	N/A	N/A	N/A	N/A	N/A	403586
35	2	Alignment locating ring	400726	401410	401944	402700	403409	403732
35A	2	Alignment locating ring O-ring	400587	401233	401587	402587	402587	403591
37	2	Bearing cover outboard	400586	401233	401586	402586	402586	403590
37A	2	Bearing cover O-ring	400587	401233	401587	402587	402587	403591
46	1	Coupling key	400588	401239	401588	402588	402588	403592
47	2	Alignment locating ring seal	400592	401240	401592	402592	403096	403596
49	2	Bearing cover seal	400592	401240	401596	402592	402592	403600
58	6	Plug	181254	185188	185188	185188	185188	185188
59	1	Cleanout hole cover	400600	401600	401600	402600	402600	402600
59A	1	Cleanout hole gasket	400604	401604	401604	402604	402604	402604
59B	4	Cleanout hole screw	189643	189643	189643	189643	189643	189643
69	2	Lockwasher	N/A	N/A	N/A	N/A	N/A	403610
73	1	Gear cover gasket	400608	401248	401608	402608	402608	402608
80-1	●○	Wear ring	400730	401412	401950	402703	402703	403735
80-2	●○	Seal ring	400731	401413	401949	402707	402707	401765
80-3	●○	Shaft O-ring BUNA	400623	401189	401189	402647	402647	403622
80-3	●○	Shaft O-ring EPDM	400625	400125	400125	402628	402628	400180
80-3	●○	Shaft O-ring SFY	401508	400895	400895	400538	400538	401619
80-4	●○	Shaft O-ring BUNA	400615	401245	401842	402472	402472	403631
80-4	●○	Shaft O-ring EPDM	400628	400126	400055	402631	402631	400181
80-4	●○	Shaft O-ring SFY	401509	400896	400554	400543	400543	401620
86	4	Casing stud	400736	401422				
86	8	Casing stud			401955	402705	402705	403739
86B	4	Casing nut	400634	401636				
86B	8	Casing nut			401636	402636	402636	403639
90A	●○	Casing gasket BUNA	400642	401331	401725	402714	402714	403645
90A	●○	Casing gasket EPDM	400639	400127	400056	402642	402642	400182
90A	●○	Casing gasket SFY	401510	400897	400555	400547	400547	401622
93	2	Alignment pin	400644	401644	401644	402644	402644	402644
94A	2	Timing gear	400649	401264	401673	402649	402649	403653
96	4	Timing gear key	400656	401292	401656	402656	402656	403660
98	2	Gear retainer ring	400652	401310	401652	402652	402652	N/A
102	2	Bearing retainer ring	400653	401300	401658	402658	403162	403662
133	4	Grease fitting	401660	401660	401660	401660	401660	401660
175	1	Gear cover	400664	401313	401664	402664	402664	403668
175A	4	Gear cover screw	180314	180025	180009			
175A	6	Gear cover screw				180051	180051	
175A	8	Gear cover screw						180051
177	4	Shaft retainer ring	400668	401315	401668	402668	402668	403672
179	1	Gear cover seal	400672	401317	401672	402672	402672	403676

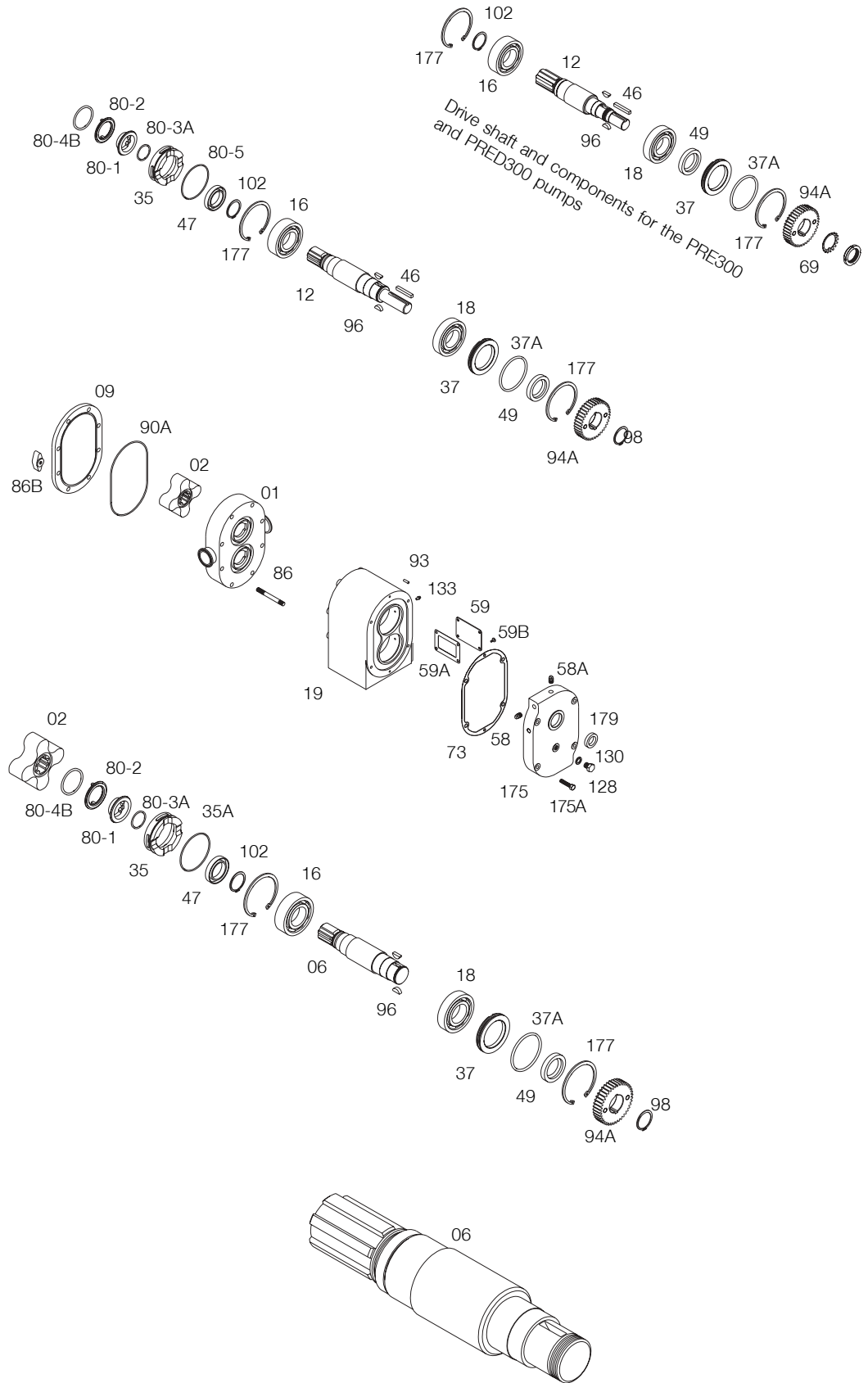
- included in PRE/PRED-1 Service Kits
- included in PRE/PRED-1A Service Kits

	PRE3	PRE10	PRE25	PRE60	PRE125	PRE300
● Buna	400252	400253	400254	400255	400255	400257
● EPDM	9613990433	9613990434	400306	9613990436	9613990436	9613990437
● SFY	400956	401490	401846	401996	401996	9613990438
○ Buna		400265	400266	400267	400267	400269
○ EPDM		9613990439	9613990440	9613990442	9613990442	9613990444
○ SFY		400640	9613990441	9613990443	9613990443	9613990445

	PRED3	PRED10	PRED25	PRED60	PRED125	PRED300
● Buna	400226	400227	400228	400229	400229	400231
● EPDM	9634600000	9613990446	400421	9613990447	9613990447	9613990448
● SFY	401813	401993	401994	401995	401995	401882
○ Buna		400233	400234	400235	400235	400237
○ EPDM		9613990449	9613990450	9613990451	9613990451	9613990452
○ SFY		402298	401663	400006	400006	9613990453

PR Series
Models 3, 10, 25, 60, 125, 300

4



PR Series

Models 3, 10, 25, 60, 125, 300

Pos.	Qty.	Denomination	PR3	PR10	PR25	PR60	PR125	PR300
01	1	Casing-bevel ports	401697	401681	401464	402493	402973	401525
01	1	Casing Tri-Clamp ports	401695	401682	401690	402492	403000	401526
01	1	Casing-bevel ports enlarged	N/A	N/A	401692	402716	403357	N/A
01	1	Casing Tri-Clamp enlarged	N/A	N/A	400250	402715	403348	N/A
02	2	See pr rotor sheet						
06	1	Pump shaft	400709	401405	401941	402701	403394	403729
08	○	Impeller carbon (s.s. rotors)	N/A	401224	401628	402484	402484	403581
09	1	Front cover	400506	401269	401568	402568	402568	403572
12	1	Drive shaft	400714	401407	401942	402702	403400	403730
16	2	Bearing-inboard	400576	401277	401576	402576	403080	403580
18	2	Bearing-outboard	400576	401277	401576	402576	402576	403582
19	1	Frame	400580	401280	401580	402580	402580	403584
22	2	Locknut	N/A	N/A	N/A	N/A	N/A	403586
35	2	Alignment locating ring	400726	401410	401944	402700	403409	403732
35A	2	Alignment locating ring O-ring	400587	401233	401587	402587	402587	403591
37	2	Bearing cover outboard	400586	401233	401586	402586	402586	403590
37A	2	Bearing cover O-ring	400587	401233	401587	402587	402587	403591
46	1	Coupling key	400588	401239	401588	402588	402588	403592
47	2	Alignment locating ring seal	400592	401240	401592	402592	403096	403596
49	2	Bearing cover seal	400592	401240	401596	402592	402592	403600
58	6	Plug	181254	185188	185188	185188	185188	185188
59	1	Cleanout hole cover	400600	401600	401600	402600	402600	402600
59A	1	Cleanout hole gasket	400604	401604	401604	402604	402604	402604
59B	4	Cleanout hole screw	189643	189643	189643	189643	189643	189643
69	2	Lockwasher	N/A	N/A	N/A	N/A	N/A	403610
73	1	Gear cover gasket	400608	401248	401608	402608	402608	402608
80-1	●○	Wear ring	400730	401412	401950	402703	402703	403735
80-2	●○	Seal ring	400731	401413	401949	402707	402707	401765
80-3	●○	Shaft O-ring BUNA	400623	401189	401189	402647	402647	403622
80-3	●○	Shaft O-ring EPDM	400625	400125	400125	402628	402628	400180
80-3	●○	Shaft O-ring SFY	401508	400895	400895	400538	400538	401619
80-4	●○	Shaft O-ring BUNA	400615	401245	401842	402472	402472	403631
80-4	●○	Shaft O-ring EPDM	400628	400126	400055	402631	402631	400181
80-4	●○	Shaft O-ring SFY	401509	400896	400554	400543	400543	401620
86	4	Casing stud	400736	401422				
86	8	Casing stud			401955	402705	402705	403739
86B	4	Casing nut	400634	401636				
86B	8	Casing nut			401636	402636	402636	403639
90A	●○	Casing gasket BUNA	400642	401331	401725	402714	402714	403645
90A	●○	Casing gasket EPDM	400639	400127	400056	402642	402642	400182
90A	●○	Casing gasket SFY	401510	400897	400555	400547	400547	401622
93	2	Alignment pin	400644	401644	401644	402644	402644	402644
94A	2	Timing gear	400649	401264	401673	402649	402649	403653
96	4	Timing gear key	400656	401292	401656	402656	402656	403660
98	2	Gear retainer ring	400652	401310	401652	402652	402652	N/A
102	2	Bearing retainer ring	400653	401300	401658	402658	403162	403662
133	4	Grease fitting	401660	401660	401660	401660	401660	401660
175	1	Gear cover	400664	401313	401664	402664	402664	403668
175A	4	Gear cover screw	180314	180025	180009			
175A	6	Gear cover screw				180051	180051	
175A	8	Gear cover screw						180051
177	4	Shaft retainer ring	400668	401315	401668	402668	402668	403672
179	1	Gear cover seal	400672	401317	401672	402672	402672	403676

- included in PR-1 Service Kits
- included in PR-1A Service Kits

	PR3	PR10	PR25	PR60	PR125	PR300
● Buna	400199	400200	400201	400202	400202	400204
● EPDM	9634052419	9613990426	400662	402139	402139	9613990429
● SFY	401812	401779	401669	402063	402063	400707
○ Buna		400206	400207	400208	400208	400210
○ EPDM		9613990430	400404	9613990431	9613990431	9613990432
○ SFY		401780	400344	402361	402361	400351

PR Series Pump Rotors for Models 3, 10, 25, 60, 125, 300

Pos.	Qty.	Denomination	PR3	PR10	PR25	PR60	PR125	PR300
02	2	6-lobe cold BUNA drive	400171	*****	*****	*****	*****	*****
02	2	6-lobe cold EPDM drive	402254	*****	*****	*****	*****	*****
02	2	6-lobe cold SFY drive	401860	*****	*****	*****	*****	*****
02	2	6-lobe hot BUNA drive	400123	*****	*****	*****	*****	*****
02	2	6-lobe hot EPDM drive	400282	*****	*****	*****	*****	*****
02	2	6-lobe hot SFY drive.....	401639	*****	*****	*****	*****	*****
02	2	6-lobe cold BUNA pump	400172	*****	*****	*****	*****	*****
02	2	6-lobe cold EPDM pump	402255	*****	*****	*****	*****	*****
02	2	6-lobe cold SFY pump	401862	*****	*****	*****	*****	*****
02	2	6-lobe hot BUNA pump	400124	*****	*****	*****	*****	*****
02	2	6-lobe hot EPDM pump	400284	*****	*****	*****	*****	*****
02	2	6-lobe hot SFY pump	401640	*****	*****	*****	*****	*****
02	2	4-lobe cold BUNA	*****	401212	401557	402557	403065	403545
02	2	4-lobe cold EPDM	*****	400192	400338	400369	400336	*****
02	2	4-lobe cold SFY	*****	401843	401271	401866	401838	401821
02	2	4-lobe cold T Resin	*****	401324	401684	402655	403051	403549
02	2	4-lobe hot BUNA	*****	401216	401555	402558	403066	403546
02	2	4-lobe hot EPDM	*****	400794	400052	400368	400193	402197
02	2	4-lobe hot SFY	*****	400894	400551	401102	401080	401836
02	2	4-lobe hot T Resin.....	*****	401171	401685	402650	400372	403579
02	2	4-lobe hot hot BUNA	*****	402219	401504	401373	400335	402267
02	2	4-lobe hot hot SFY.....	*****	402078	401611	402287	401717	*****
02	2	4-lobe metal	*****	401196	401624	402671	402998	403476
02	2	2-lobe cold BUNA drive	*****	401190	401614	402525	403219	403537
02	2	2-lobe cold SFY drive	*****	401877	400388	401818	400189	400643
02	2	2-lobe hot BUNA drive	*****	401191	401506	402529	403221	400278
02	2	2-lobe hot SFY drive.....	*****	401988	401815	401990	400722	400503
02	2	2-lobe cold BUNA pump	*****	401194	401615	402526	403186	403538
02	2	2-lobe cold SFY pump	*****	401878	400390	401819	401840	400650
02	2	2-lobe hot BUNA pump	*****	401195	401507	402530	403223	400279
02	2	2-lobe hot SFY pump	*****	401987	401814	401989	400725	400509
02	2	2-lobe metal drive	*****	401228	401461	402485	403034	403511
02	2	2-lobe metal pump	*****	401237	401474	402486	403035	403515