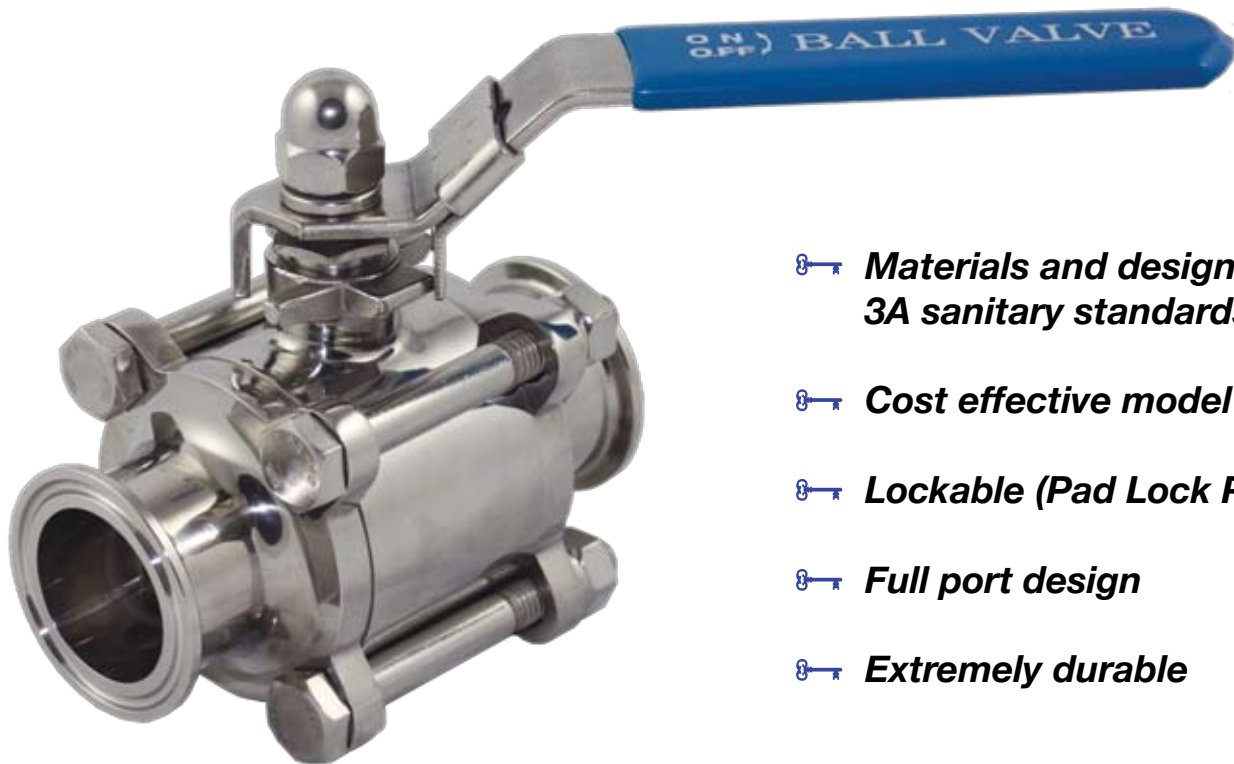


# Key Industrial

997 Enterprise Way Napa, CA 94558 • Phone: 800-852-5270 • Fax: 707-252-9054

## Key Advantage Ball Valve



- **Materials and design meet 3A sanitary standards**
- **Cost effective model**
- **Lockable (Pad Lock Port)**
- **Full port design**
- **Extremely durable**

Questions?

Toll Free 1-800-852-5270



### Specifications

**Size:**

1", 1.5", 2", 2.5", 3", 4"

**Seat:**

Teflon (Standard)

\*Ask about other options

**Connection:**

Sanitary Clamp (Standard)

\* Other options available upon request

**Material:**

AISI 304 Stainless Steel

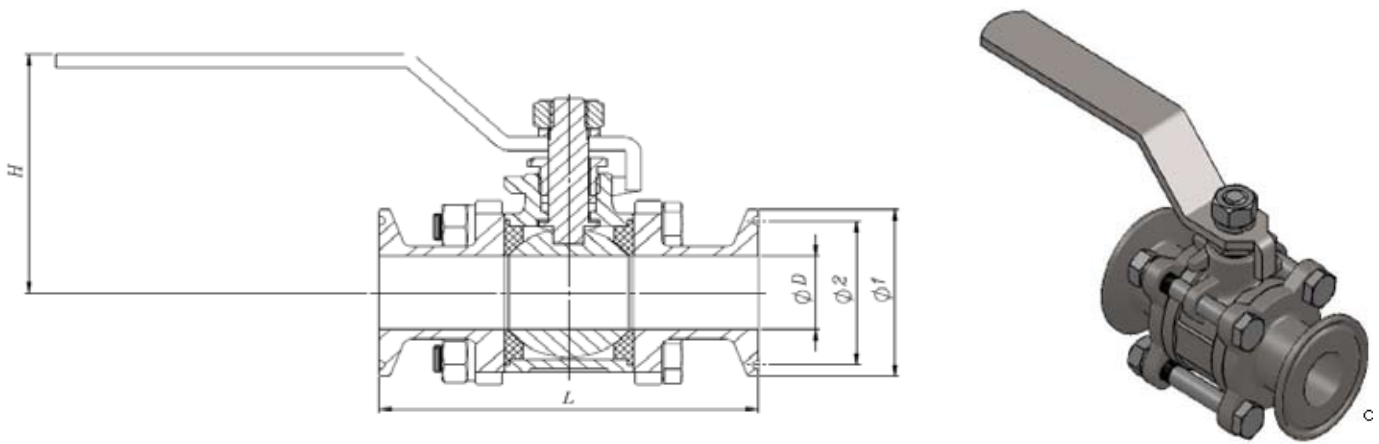
**Temperature Range:**

-60 Degrees Fahrenheit to +300 Degrees Fahrenheit

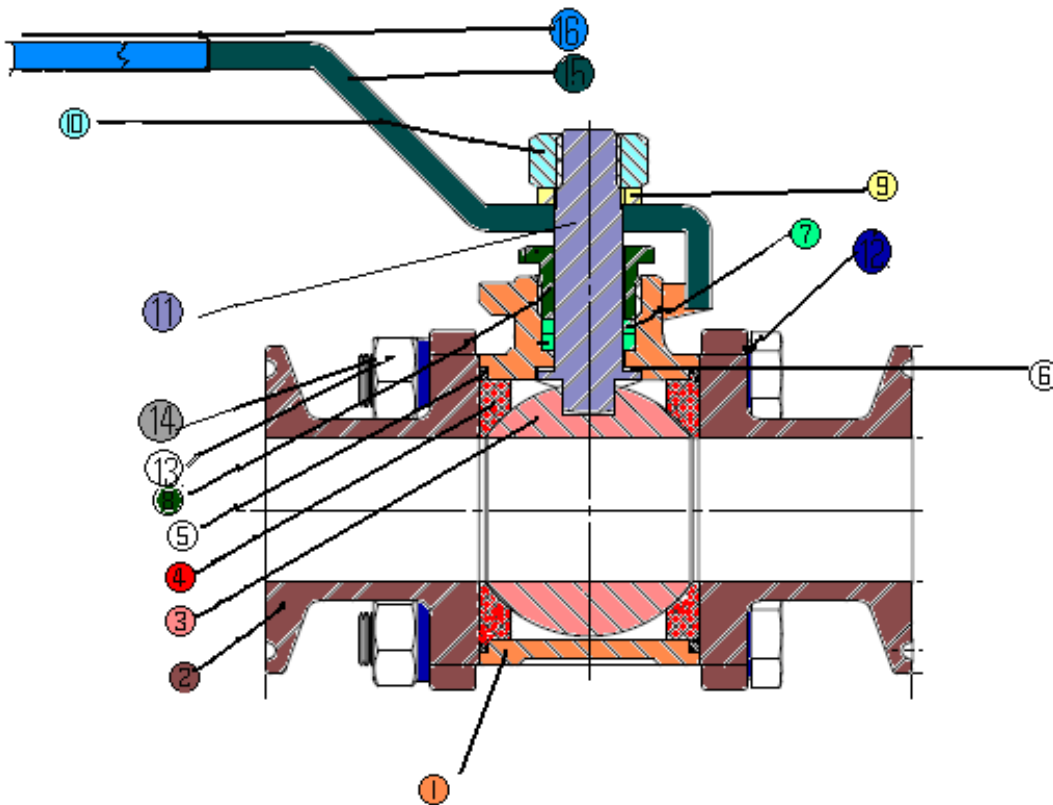
**Working Pressure:**

200 PSI Maximum (14 Bars)  
Tested at 235 PSI (16 Bars)

[www.keyindustrial.com](http://www.keyindustrial.com)



	L(mm)	$\Phi 1$ (mm)	$\Phi 2$ (mm)	$\Phi D$ (mm)
DN 25	100	50.5	43.5	22.1
DN 38	125	50.5	43.5	34.8
DN 51	150	64	56.5	47.5
DN 76	220	91	83.5	72.9



NO	PARTS NAME	MATERIALS
1	BODY	AISI 304
2	CAP	AISI 304
3	BALL	AISI 304
4	SEAT	PTFE
5	BODY SEAT	PTFE
6	THRUST WASHER	PTFE
7	STEM PACKING	PTFE
8	GLAND NUT	AISI 304
9	STEM WASHER	AISI 304
10	STEM NUT	AISI 304
11	STEM	AISI 304
12	BOLT WASHER	AISI 304
13	NUT	AISI 304
14	BOLT	AISI 304
15	HANDLE	AISI 304
16	PLASTIC COVER	PLASTIC