

Manual or Automatic - it's your Choice

LKB Automatic or Manual Butterfly Valve

Application

LKB is a sanitary automatic or manually operated butterfly valve for use in stainless steel fluid handling systems.

Working principle

LKB is either remote-controlled by means of an actuator or manually operated by means of a handle. The actuator is made in three standard versions, normally-closed (NC), normally-open (NO) and air/air-activated (A/A).

The actuator is designed so that an axial movement of a piston is transformed into a 90° rotation of a shaft. The torque of the actuator is increased when the valve disc contacts the seal ring of the butterfly valve.

A variety of handle options for manual operation mechanically secures the valve in its open, closed, or intermediate positions.

Standard design

The valve consists of two valve body halves, valve disc, bushings for the disc stem and seal ring. The valve is assembled by means of screws and nuts.

Two actuator sizes, \varnothing 85 mm (3.35") and \varnothing 133 mm (5.24"), cover all valve sizes.

The actuator is fitted onto the valve by means of a bracket and screws.

The actuator is fitted onto the valve by means of a bracket and screws. (The actuator can also be fitted onto ball valves by means of special brackets).

The handle for manual operation is fitted onto the valve by means of a cap/block system and a screw.

The LKB is available with either welded ends or Tri-Clamp® sanitary connections.

Control Equipment

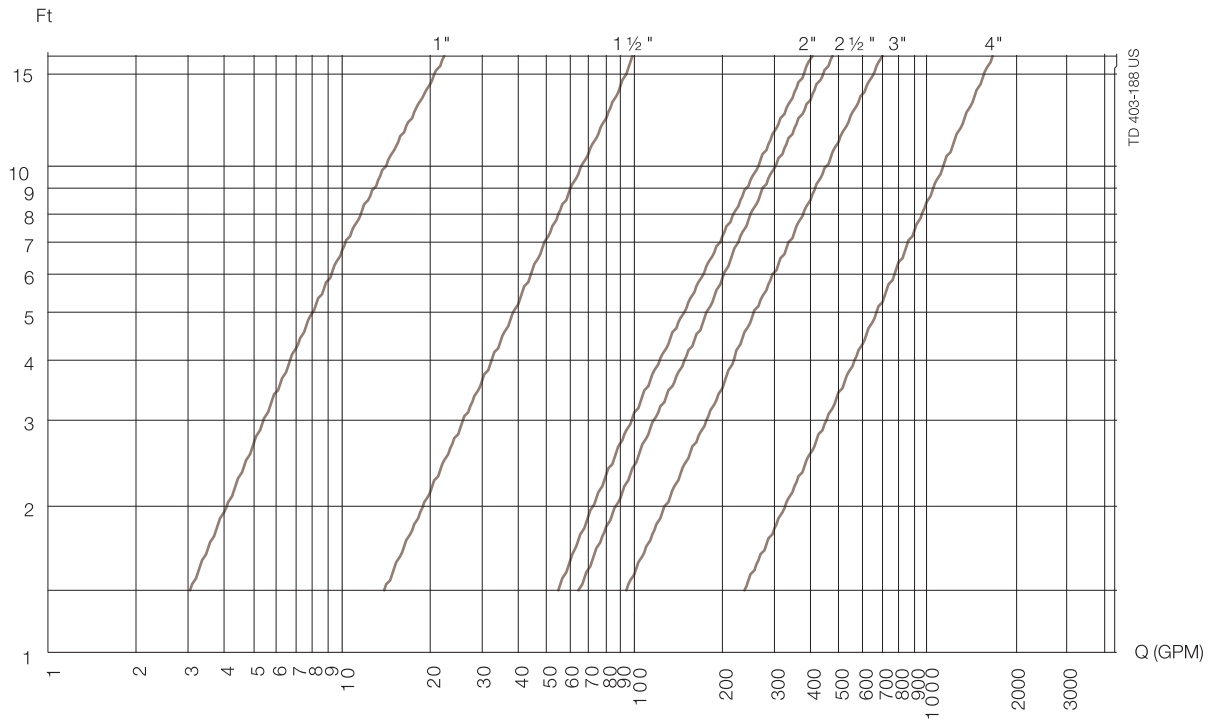
Control and indication is possible in connection with the remote-controlled LKB valve, including the ThinkTop®. See "Options".



LKB butterfly valve with handle

Capacity/Pressure drop diagrams

LKB fully open



3.4

Torque values (for rotating the valve disc in a dry seal ring)

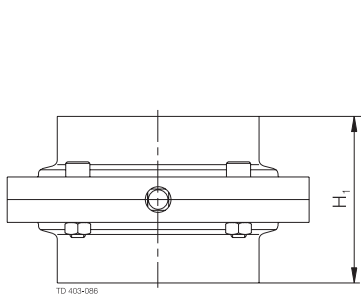
Valve Size	Max Torque (ft-lbs)
1-inch	13
1.5-inch	13
2-inch	15
2.5-inch	15
3-inch	15
4-inch	28
6-inch	28

Note!For the diagrams the following applies:
 Medium: Water (155°F).
 Measurement: In accordance with VDI 2173.

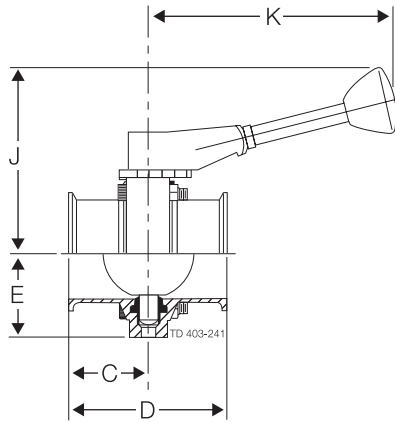
Valve Dimensions (inches)

Size	1-inch	1½-inch	2-inch	2½-inch	3-inch	4-inch	6-inch
C	1.75	1.75	1.85	1.88	2.03	2.38	3.06
D	3.50	3.50	3.69	3.75	4.06	4.75	6.13
E	1.53	1.53	1.94	2.31	2.59	3.34	4.25
F	3.07	3.07	3.90	4.61	5.20	6.65	8.46
H'	1.85	1.85	2.05	2.13	2.44	3.15	3.15
J	3.23	3.23	3.62	4.02	4.21	5.00	5.98
J (green handle)	4.00	4.00	4.38	4.78	4.97	5.75	6.19
K (black handle)	4.72	4.72	4.72	4.72	6.38	6.38	6.34
K (green handle)	6.31	6.31	6.31	6.31	6.31	6.31	14.50
Weight LKB (lbs.)	2.64	2.20	3.31	4.63	10.36	19.84	-

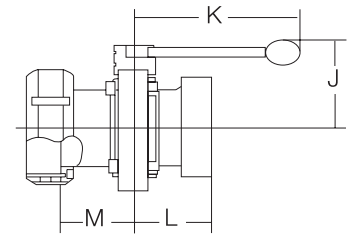
3.4



a. LKB with welding ends



b. LKB multi-position green handle



c. LKB with male part/nut and liner

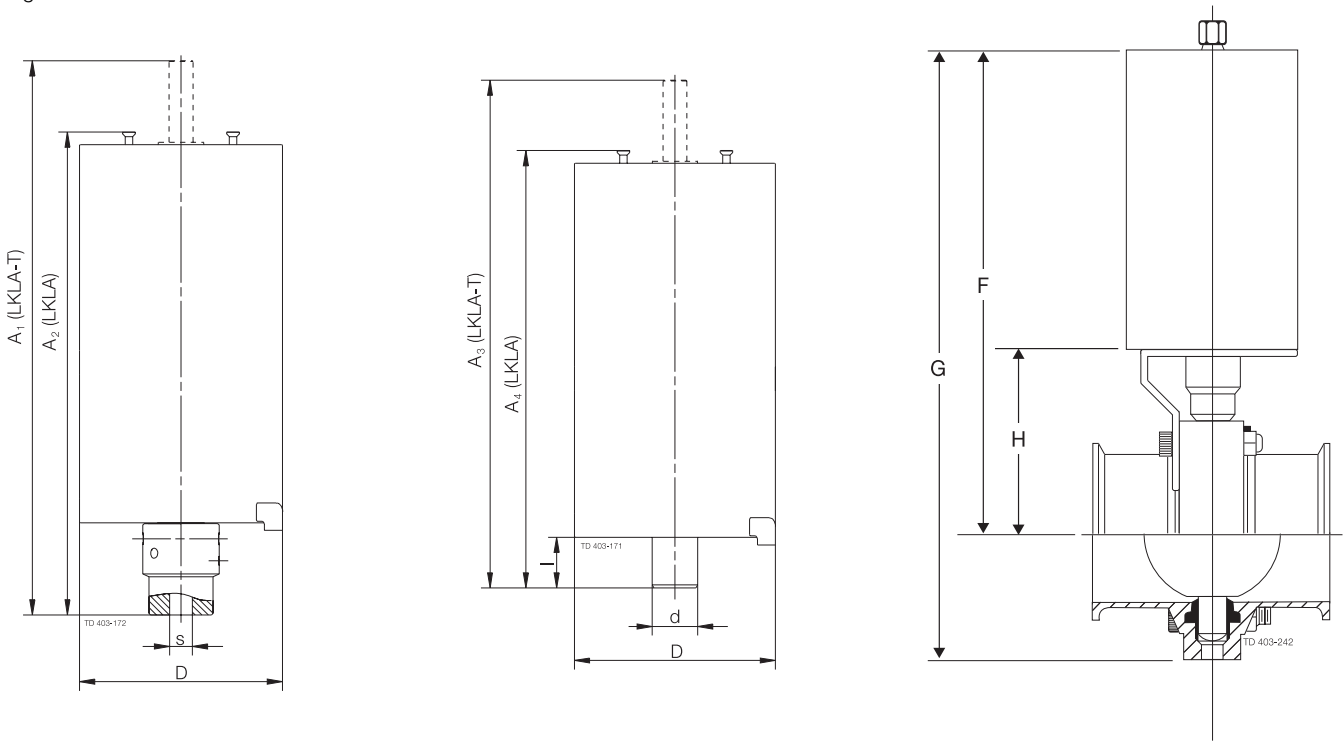
Actuator Dimensions (inches)

LKLA and LKLA-T

Size	1-inch Ø85 mm	3-inch Ø85 mm	4-inch Ø85 mm	4-inch Ø133 mm	6-inch Ø85 mm	6-inch Ø133 mm
A1	9.61	9.53	9.53	14.29	9.69	14.29
A2	7.60	7.52	7.52	12.44	7.68	12.44
F	8.56	9.44	10.25	15.38	11.55	16.31
G	10.13	12.06	13.56	18.70	15.80	20.56
H	2.72	3.59	4.38	5.60	5.60	6.50
I	0.65	0.65	0.65	1.34	0.64	1.34
s	0.31	0.39	0.47	0.47	0.59	0.59
Function	NC,NO,A/A	NC,NO,A/A	NC,NO,A/A	NC,NO,A/A	A/A	NC,NO,A/A

Note! Suitability depends on process conditions

Figure 4. Dimensions - actuator



a. With coupling

b. Without coupling

c. Mounted on a valve

Connections

Compressed air

R1/8" (BSP), internal thread.

(Quick connect fittings for 1/4" tubing provided as standard)

Options

- A. Tri-Clamp® or butt weld ends standard
 - other connections available upon request
- B. ThinkTop® for control and indication
- C. Green Top - position indication MS or PS
- D. Indication unit with micro switches
- E. Indication unit with inductive proximity switches
- F. Handle with two or four positions (standard on 6")
- G. Handle for electrical position indication
- H. Handle with infinite intermediate positions (not for 6")
- I. Multi-positioning handle with lever handle or pull knob
- J. Service tool for actuator
- K. Service tool for fitting 1"-1.5" valve discs

LKB Handle Options

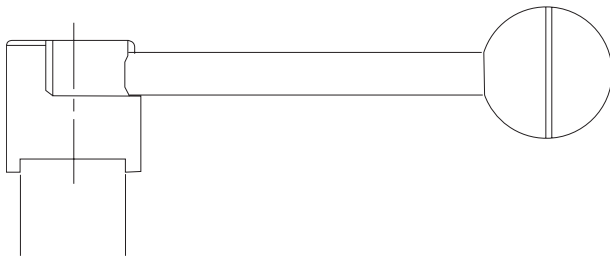


Fig. 5. LKB two position handle (black handle)

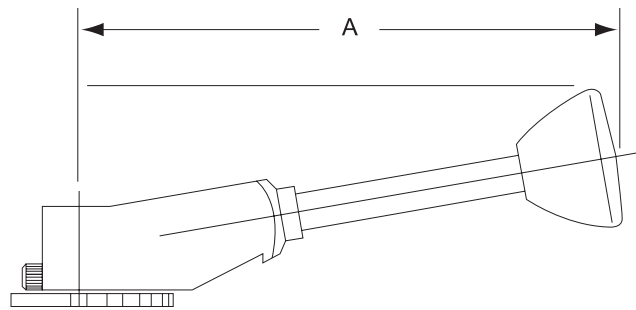


Fig. 6. LKB multi-position handle (green handle)

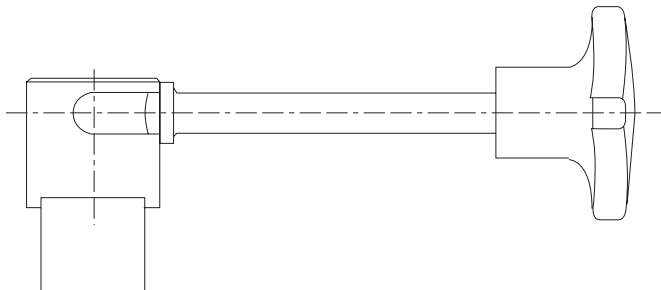


Fig. 7. LKB butterfly valve regulating handle

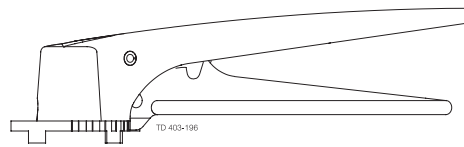


Fig. 8. LKB lockable multi-position handle

Ordering

Please state the following when ordering:

- Valve size
- Connections
- Materials: AISI 304 or AISI 316L
- Rubber grade: EPDM, Silicone (Q), Fluorinated rubber (FPM) or HNBR, PF (PTPE coated EPDM (1½" or large) or N.A. in 1" size
- Type of handle, if required

If ordering with actuator:

- Type: LKLA or LKLA-T.
- Size: \varnothing 85 mm (3.35") or \varnothing 133 mm (5.24")
- Function: NC, NO or Air/Air
- Valve control options