

# Key Industrial

997 Enterprise Way Napa, CA 94558 • Phone: 800-852-5270 • Fax: 707-252-9054

## Key Advantage Butterfly Valve



- ⌘ **Materials and design meet 3A sanitary standards**
- ⌘ **Cost effective model**
- ⌘ **Compact construction**
- ⌘ **Spring loaded handle locks valve open or close**
- ⌘ **Reversible hub**

Questions?  
Toll Free 1-800-852-5270



### Specifications

**Size:**

1", 1.5", 2", 2.5", 3", 4"

**Seat:**

EPDM (Standard)

\*Ask about other options

**Connection:**

Sanitary Clamp (Standard)

\* Other options available upon request

**Material:**

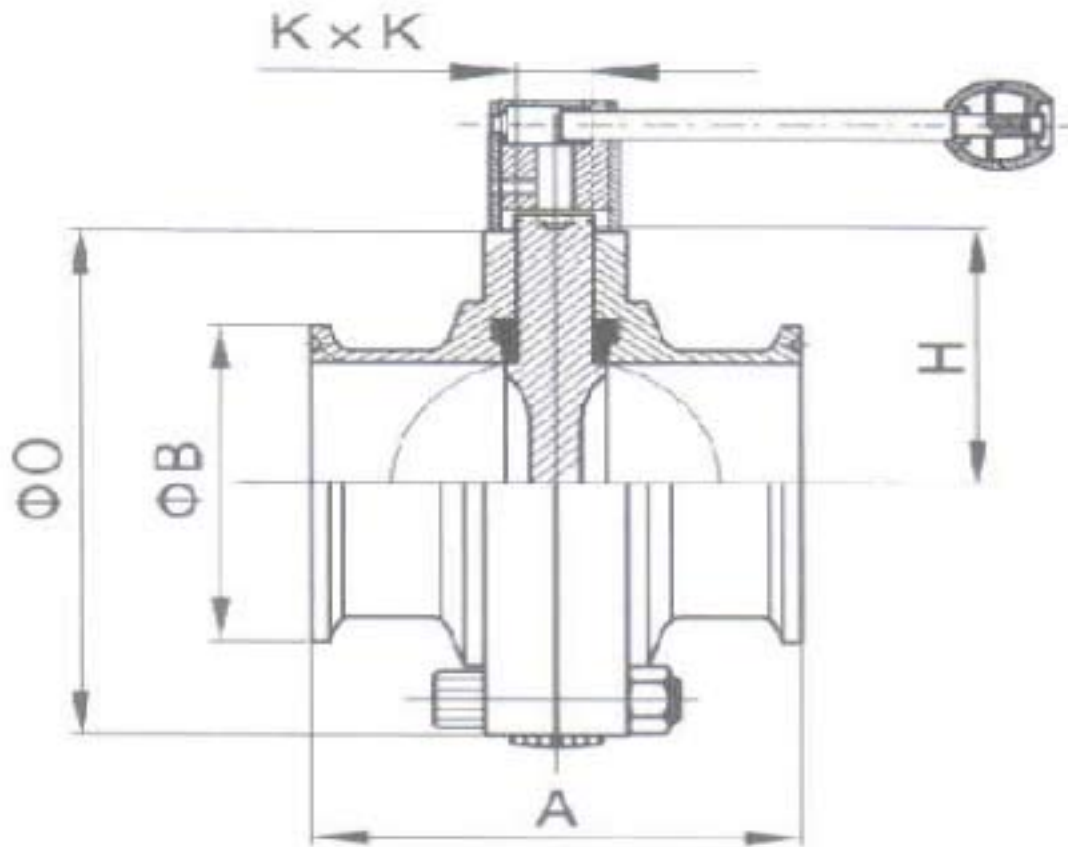
AISI 304 Stainless Steel

**Temperature Range:**

+15 Degrees Fahrenheit to  
+200 Degrees Fahrenheit

**Working Pressure:**

147 PSI Maximum (10 Bars)  
Tested at 176 PSI (16 Bars)



	L(mm)	$\Phi 1$ (mm)	$\Phi 2$ (mm)	$\Phi D$ (mm)
DN 25	100	50.5	43.5	22.1
DN 38	125	50.5	43.5	34.8
DN 51	150	64	56.5	47.5
DN 76	220	91	83.5	72.9